

1

2

3

4

5

6

7

8

A

A

B

B

C

C

D

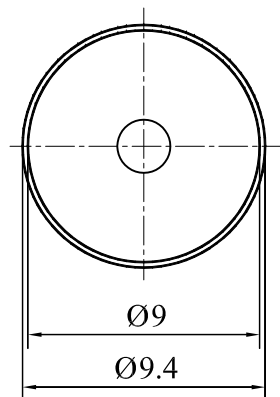
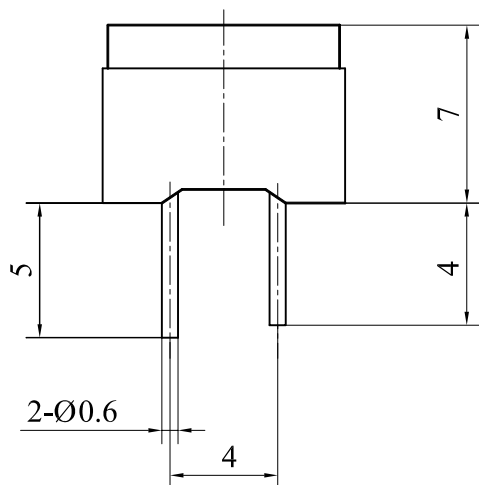
D

E

E

F

F



SPECIFICATION

1. Rated Voltage	1.5 V
2. Operating Voltage	1~2 V
3. Max. Rated Current	80 mA
4. Coil Resistance	$5.5 \pm 1 \Omega$
5. Coil Impedance	$9.5 \pm 3 \Omega$
6. Min. Sound Pressure Level	80dB/10cm
7. Resonant Frequency	3100Hz
8. Shell Material	PBT
9. Operating Temperature	-20~+70°C
10. Store Temperature	-30~+80°C
11. Weight	1g

						KEPO NINGBO KEEP IMPROVING ELECTRONIC CO.,LTD http://www.chinaacoustic.com	
						Magnetic Buzzer KPM09A	
No.	DESCRIPTION	APPROVED	DATE			UNIT	
TOLERANCES UNLESS NOTED OTHERWISE X ± .XX ± .XXX ± 90° FORMED ±1° ANGLES -1°		APPROVALS		DATE		DWG NO.	
FIRST ANGLE PROJECTION		DRAWN				mm	
		CHECKED				KP3.840.652	
		APPROVED		04.09.20		SCALE NOT TO SCALE	
						SHEET	
						VER 1.0	

1

2

3

4

5

6

7

8