

1

2

3

4

5

6

7

8

A

A

B

B

C

C

D

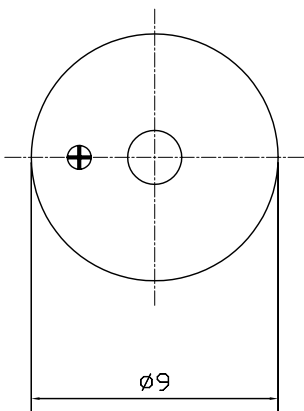
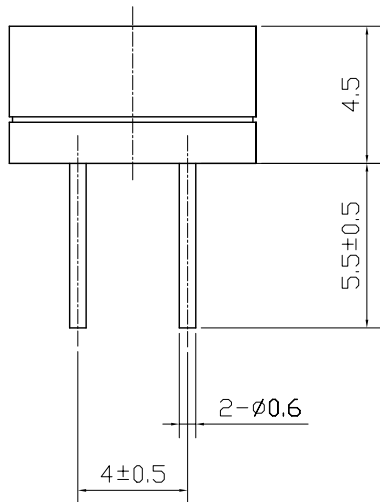
D

E

E

F

F



SPECIFICATION

- 1. Rated Voltage 1.5 V
- 2. Operating Voltage 1~2V
- 3. Max. Rated Current 80mA
- 4. Coil Resistance $5.5 \pm 1 \Omega$
- 5. Coil Impedance 9.0Ω
- 6. Min. Sound Pressure Level 83dB/10cm
- 7. Resonant Frequency 2731Hz
- 8. Case Material PBT
- 9. Operating Temperature $-20 \sim +70^{\circ}\text{C}$
- 10. Store Temperature $-30 \sim +80^{\circ}\text{C}$
- 11. Weight 1g

				KEPO NINGBO KEEP IMPROVING ELECTRONIC CO.,LTD http://www.chinaacoustic.com	
				Magnetic Buzzer KPM09F	
No.	DESCRIPTION	APPROVED	DATE		
<small>TOLERANCES UNLESS NOTED OTHERWISE X ± .XX ± .XXX ± 90° FOR ANGLES +2° ANGLES -1°</small>		APPROVALS		UNIT	DWG NO.
		DRAWN		mm	KP3.843.658
<small>FIRST ANGLE PROJECTION</small> 		CHECKED		SCALE	SHEET
		APPROVED	03.06.18	NOT TO SCALE	VER 1.0

1

2

3

4

5

6

7

8