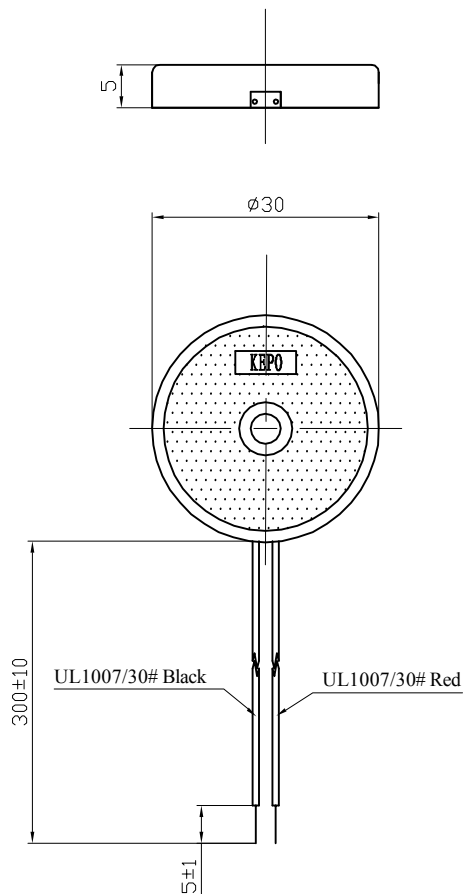


Specifications

1. Rated Voltage.....5Vp-p Square Wave
2. Max. Allowable Voltage.....30 Vp-p Wave
3. Max. Rated Current.....15mA/4.0KHz / 5Vp-p Square Wave
4. Min. Sound Pressure Level.....90dB/ 4.0KHz / 5Vp-p Square Wave/10cm
5. Resonant Frequency.....4.0±0.5KHz
6. Capacitance at 120Hz20000 ±30% pF
7. Case Material.....ABS
8. Operating Temperature.....-20~+60°C
9. Store Temperature.....-30~+70°C
10. Weight.....4.2g



				KEPO NINGBO KEPO ELECTRONIC CO.,LTD http://www.chinaacoustic.com	
				Piezo transducer	
				KPR-3045	
No.	DESCRIPTION	APPROVED	DATE		
TOLERANCES UNLESS NOTED OTHERWISE: X . * XX + XXX + 90° FORMED -2° ANGLES ±1° FIRST ANGLE PROJECTION		APPROVALS		DATE	
		DRAWN			
		CHECKED		UNIT	DWG NO.
		APPROVED		mm	KP3.840.349
				05.08.23	SCALE NOT TO SCALE SHEET
				VER	1.0