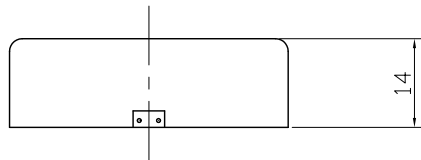


1 2 3 4 5 6 7 8

A



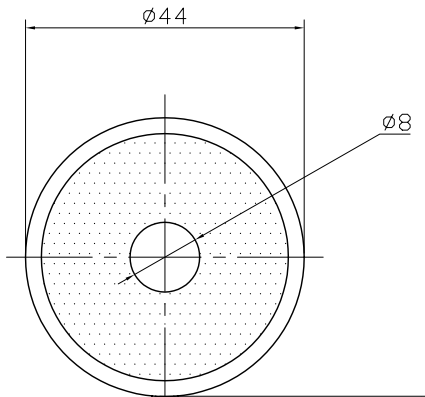
B

SPECIFICATION

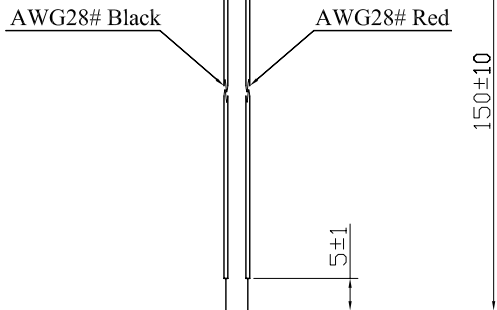
C

- 1. Rated Voltage12Vp-p Square Wave
- 2. Max. Allwable Voltage30Vp-p Square Wave
- 3. Max. Rated Current4mA at 1.0KHz/12Vp-p Square Wave
- 4. Min. Sound Pressure Level.....78dB at 1.0KHz/12Vp-p Square Wave/30cm
- 5. Capacitance at 120Hz85000pF±30%
- 6. Resonant Frequency1.0±0.5KHz
- 7. Case Material.....ABS
- 8. Operating Temperature-20~+60°C
- 9. Store Temperature-30~+70°C
- 10. Weight9g

D



E



F

				KEPO NINGBO KEEP IMPROVING ELECTRONIC CO.,LTD http://www.chinaacoustic.com	
No.	DESCRIPTION	APPROVED	DATE	Piezo transducer KPR-4411G	
TOLERANCES UNLESS NOTED OTHERWISE X = XX = XXX = 90° FORMED +2° ANGLES -1°		APPROVALS	DATE	UNIT	DWG NO.
FIRST ANGLE PROJECTION		DRAWN		mm	KP3.840.337
		CHECKED		SCALE	SHEET
		APPROVED	03.05.31	NOT TO SCALE	VER 1.0

1 2 3 4 5 6 7 8