

凯普电子

Ningbo Keep Improving Electronics Factory

Engineering laboratory Specification 制 品 规 格 书					
产品型号 : KPR-5020			产品图号 : KP3.840.332		
概述 Scop.	此确认书仅使用压电式声响器 This specification is only used for piezo transducer				
编号 NO.	项目 Items	规格 Specifications			
1	额定电压 Rated Voltage	12Vp-p Square Wave			
2	最大输入电压 Max. Allowable Voltage	30Vp-p Square Wave			
3	额定电流 Max. Rated Current	4mA at 0.9 KHz/12Vp-p Square Wave			
4	额定声压 Min. Sound Pressure Level	80dB at 0.9KHz/12Vp-pSquare Wave/30cm			
5	谐振频率 Resonant Frequency	0.9 ± 0.5 KHz			
6	静电容量 Capacitance at 120Hz	66000pF ± 30%			
7	塑壳材料 Case Material	ABS			
8	工作温度 Operating Temperature	- 20~ + 60			
9	贮存温度 Store Temperature	- 30 ~ +70			
10	重量 Weight	12g			
备注 Note:					
设计 Designed By		查核 Checked		承认 Approved By	
日期 :				图号 :	KP3.840.332G

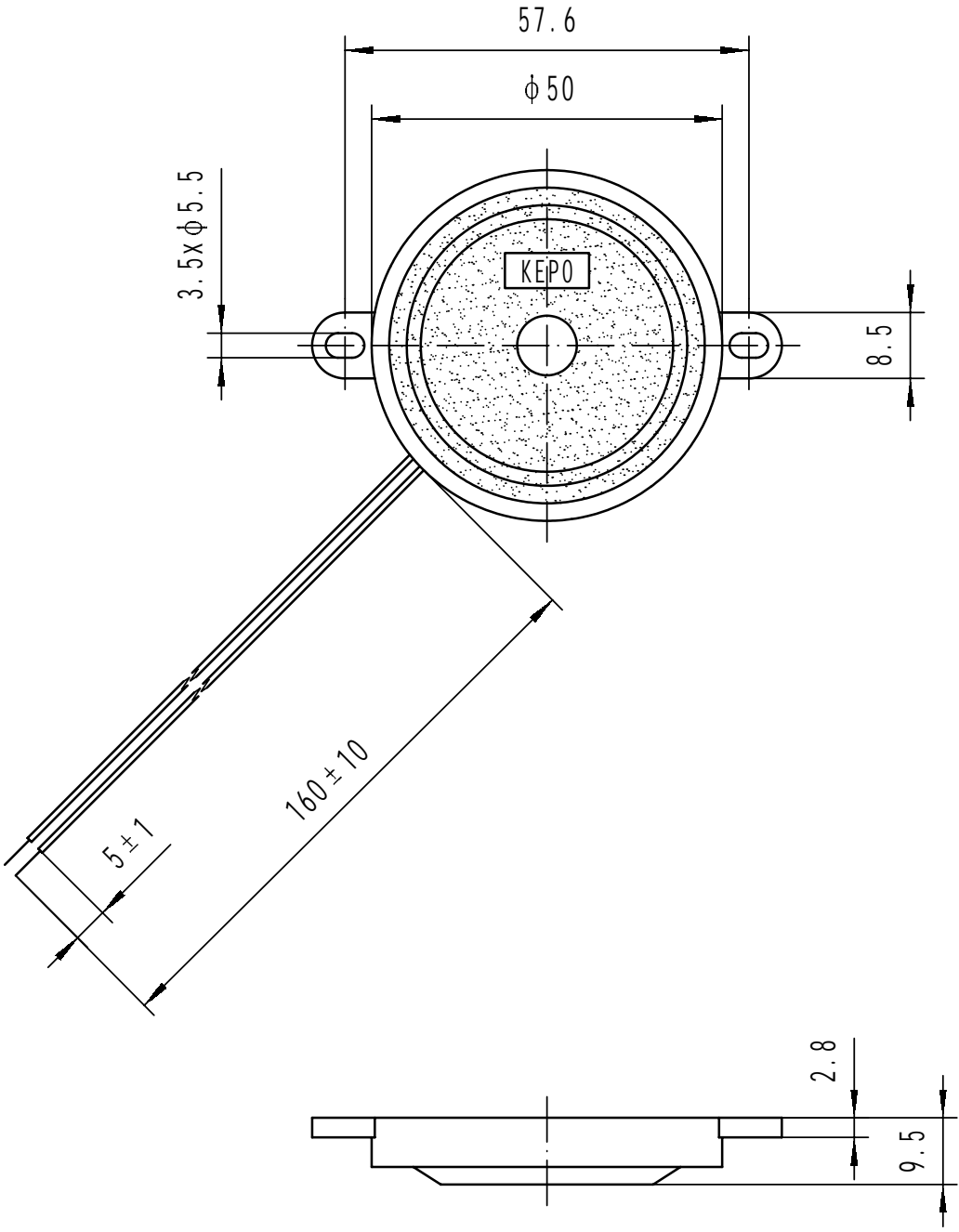
1 2 3 4

A

B

C

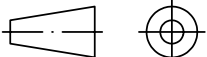
D



TOLERANCES UNLESS NOTED OTHERWISE

- .X ±
- .XX ±
- .XXX ±
- 90° FORMED +2°
- ANGLES -1°

FIRST ANGLE PROJECTION



	SIGN	DATE
DRAWN		02.07.02
DESIGN		
CHECK		
APPROVED		

CONTRACT NO.
AGENCY APPROVAL

KEPO MODEL NO.	CUSTOMER
KPR-5020	
DWG NO.	CUSTOMER NO.
KP3.840.332WX	

REV	1.0	SHEET	
UNIT:		SCALE	

KEPO CO. LTD.

TEL: (+86)574-88370330
FAX: (+86)574-88370329

1 2 3 4