

1

2

3

4

5

6

7

8

A

A

B

B

C

C

D

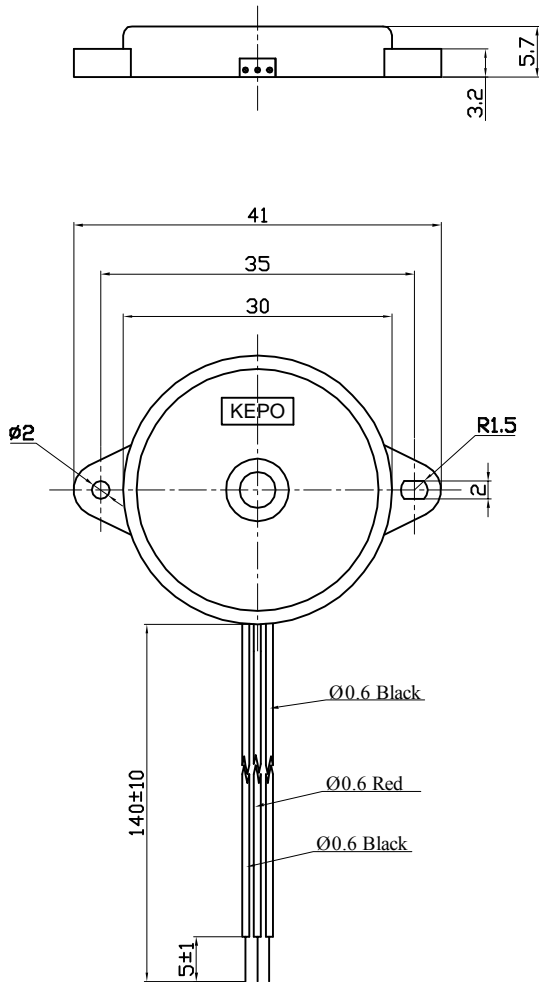
D

E

E

F

F



## SPECIFICATION

1. Rated Voltage .....6VDC
2. Max. Rated Long Power .....3-18VDC
3. Max. Rated Current .....5mA at 6VDC
4. Min. Sound Pressure Level .....80dB at 6VDC/30cm
5. Tone Nature .....continuous
6. Resonant Frequency .....3.2±0.5KHz
7. Case Material/Color .....ABS/Black
8. Operating Temperature .....-20~+60°C
9. Store Temperature .....-30~+70°C
10. Weight .....3.5g

				<b>KEPO</b> NINGBO KEPO ELECTRONIC CO.,LTD <a href="http://www.chinaacoustic.com">http://www.chinaacoustic.com</a>	
No.	DESCRIPTION	APPROVED	DATE	Piezo Transducer KPR3-3010	
TOLERANCES UNLESS NOTED OTHERWISE: X * XX * XXX * 90° FORMED ±2° ANGLES ±1° FIRST ANGLE PROJECTION		APPROVALS	DATE		
		DRAWN		UNIT	DWG NO.
		CHECKED		mm	KP3.840.318
		APPROVED	05.08.23	SCALE	SHEET
				NOT TO SCALE	VER 1.0

1

2

3

4

5

6

7

8