

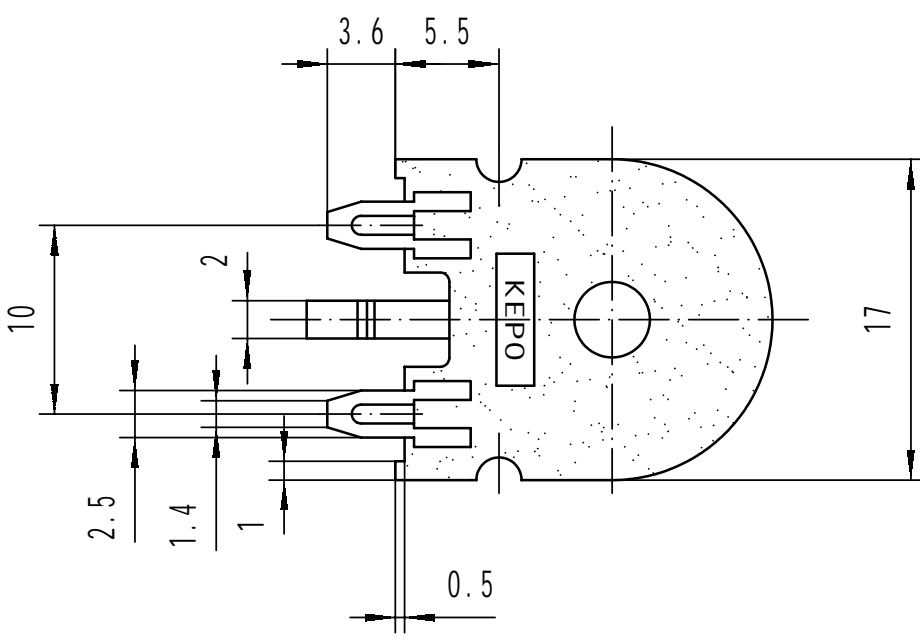
凯普电子

Ningbo Keep Improving Electronics Factory

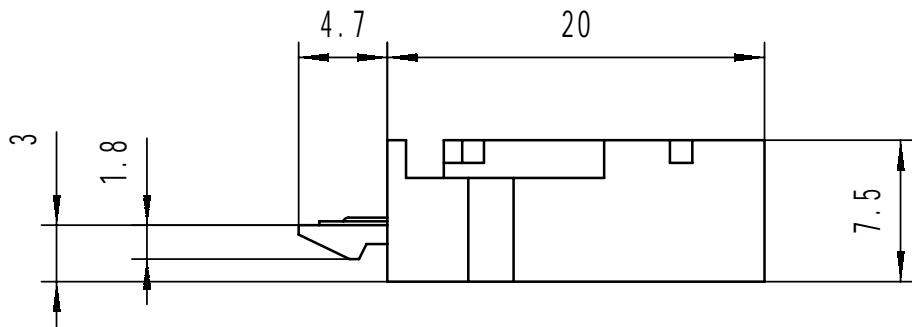
Engineering laboratory Specification 制 品 规 格 书					
产品型号 : KPT-1770F			产品图号 : KP3.840.254		
概述 Scop.	此确认书仅使用压电式声响器 This specification is only used for piezo transducer				
编号 NO.	项 目 Items	规 格 Specifications			
1	额定电压 Rated Voltage	12Vp-p Square Wave			
2	最大输入电压 Max. Allowable Voltage	30Vp-p Square Wave			
3	额定电流 Max. Rated Current	2mA at 4.0 KHz/12Vp-p Square Wave			
4	额定声压 Min. Sound Pressure Level	80dB at 4.0KHz/12Vp-p Square Wave/10cm			
5	谐振频率 Resonant Frequency	4.0 ± 0.5 KHz			
6	静电容量 Capacitance at 120Hz	15000pF ± 30%			
7	塑壳材料 Case Material	PA			
8	工作温度 Operating Temperature	- 20~ + 80			
9	贮存温度 Store Temperature	- 30 ~ +100			
10	重量 Weight	1.5g			
备注 Note:					
设计 Designed By		查 核 Checked		承 认 Approved By	
日期 :	2001/5/24		图号 :	KP3.840.254G	

1 2 3 4

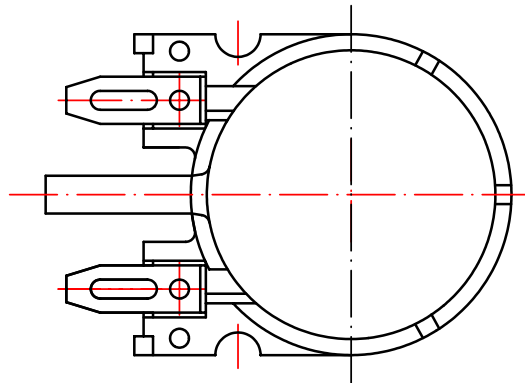
A



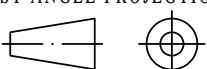
B



C



D

TOLERANCES UNLESS NOTED OTHERWISE .X ± .XX ± .XXX ± 90° FORMED +2° ANGLES -1° FIRST ANGLE PROJECTION 		SIGN	DATE	KEPO MODEL NO.	CUSTOMER			
	DRAWN		02.06.20	KPT-1770F	CUSTOMER NO.			
	DESIGN				DWG NO.			
	CHECK			KP3.840.254WX	REV	1.0	SHEET	
	APPROVED				UNIT:		SCALE	
CONTRACT NO.			AGENCY APPROVAL		KEPO CO. LTD. TEL:(+86)574-88370330 FAX:(+86)574-88370329			

1 2 3 4