

凯普电子

Ningbo Keep Improving Electronics Factory

Engineering laboratory Specification 制 品 规 格 书					
产品型号 : KPT-2320			产品图号 : KP3.840.237		
概述 Scop.	此确认书仅使用压电式声响器 This specification is only used for piezo transducer				
编号 NO.	项目 Items	规格 Specifications			
1	额定电压 Rated Voltage	12Vp-p Square Wave			
2	最大输入电压 Max. Allowable Voltage	30Vp-p Square Wave			
3	额定电流 Max. Rated Current	4mA at 3.0 KHz/12Vp-p Square Wave			
4	额定声压 Min. Sound Pressure Level	85dB at 3.0KHz/12Vp-p Square Wave/30cm			
5	谐振频率 Resonant Frequency	3.0 ± 0.5 KHz			
6	静电容量 Capacitance at 120Hz	20000pF ± 30%			
7	塑壳材料 Case Material	ABS			
8	工作温度 Operating Temperature	- 20~ + 60			
9	贮存温度 Store Temperature	- 30 ~ +70			
10	重量 Weight	3.5g			
备注 Note:					
设计 Designed By		查 核 Checked		承 认 Approved By	
日期 :		图号 :	KP3.840.237G		

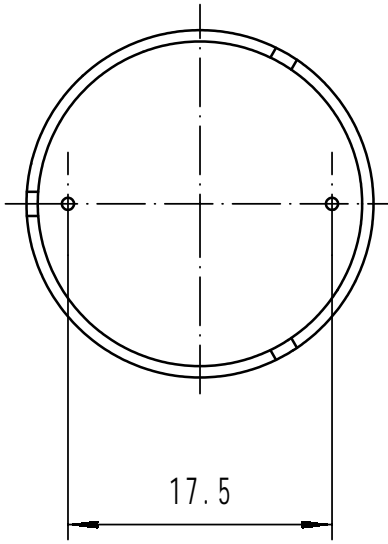
1

2

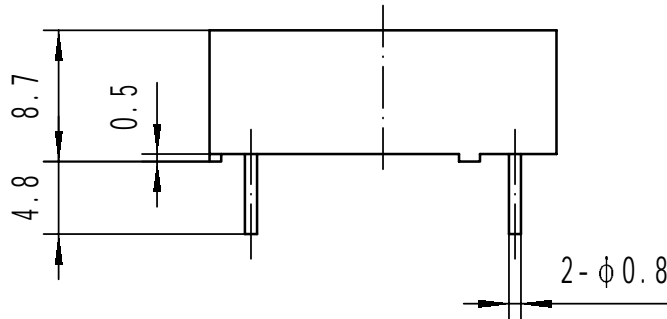
3

4

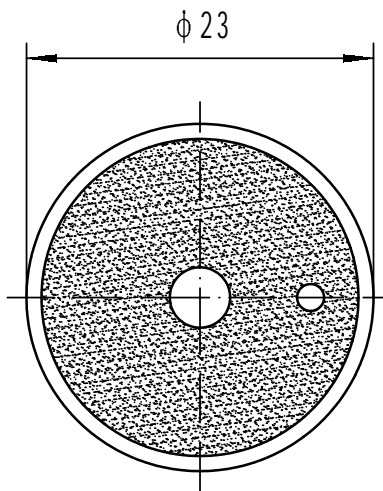
A



B



C



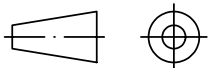
D

TOLERANCES UNLESS NOTED OTHERWISE

.X ±
.XX ±
.XXX ±

90° FORMED +2°
ANGLES -1°

FIRST ANGLE PROJECTION



SIGN

DATE

KEPO MODEL NO.

CUSTOMER

DRAWN

02.06.20

KPT-2320

CUSTOMER NO.

DESIGN

CHECK

DWG NO.

APPROVED

KP3.840.237WX

REV

1.0

SHEET

CONTRACT NO.

UNIT:

SCALE

AGENCY APPROVAL

KEPO CO. LTD.

TEL: (+86)574-88370330

FAX: (+86)574-88370329

1

2

3

4