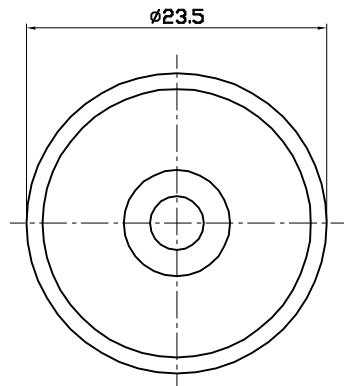
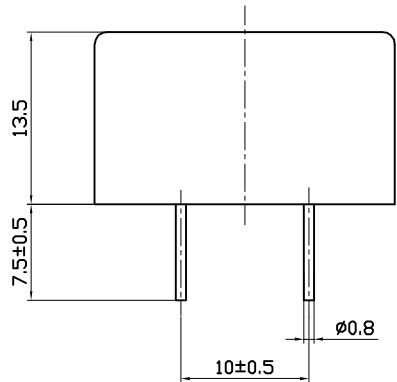


# SPECIFICATION



- 1. Rated Voltage .....12Vp-p Square Wave
- 2. Max. Rated Long Power .....30Vp-p Square Wave
- 3. Max. Rated Current .....4mA at 2.4KHz/12Vp-p Square Wave
- 4. Min. Sound Pressure Level .....83dB at 2.4KHz/12Vp-p Square Wave/30cm
- 5. Capacitance at 120Hz .....24000±30%
- 6. Resonant Frequency .....2.4±0.5KHz
- 7. Case Material .....ABS
- 8. Operating Temperature .....-20~+60°C
- 9. Store Temperature .....-30~+70°C
- 10. Weight .....4g

				<b>KEPO</b> NINGBO KEPO ELECTRONIC CO.,LTD <a href="http://www.chinaacoustic.com">http://www.chinaacoustic.com</a>	
<b>Piezo Transducer</b>					
<b>KPT-2420</b>					
No.	DESCRIPTION	APPROVED	DATE		
TOLERANCES UNLESS NOTED OTHERWISE: X . * XX + XXX *		APPROVALS	DATE		
90° FORMED -2° ANGLES -1°		DRAWN			
FIRST ANGLE PROJECTION		CHECKED		UNIT	DWG NO.
		APPROVED		mm	KP3.840.242
			05.08.23	SCALE	SHEET
				NOT TO SCALE	VER 1.0