

# 宁波凯普电子有限公司

Ningbo Keep Improving Electronics Co.Ltd.

Tel:(+86)0574-88370330  
Fax:(+86)0574-88370329

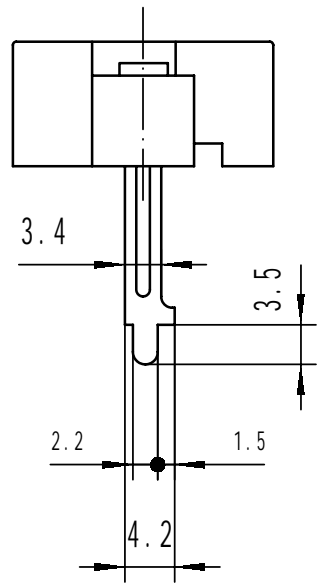
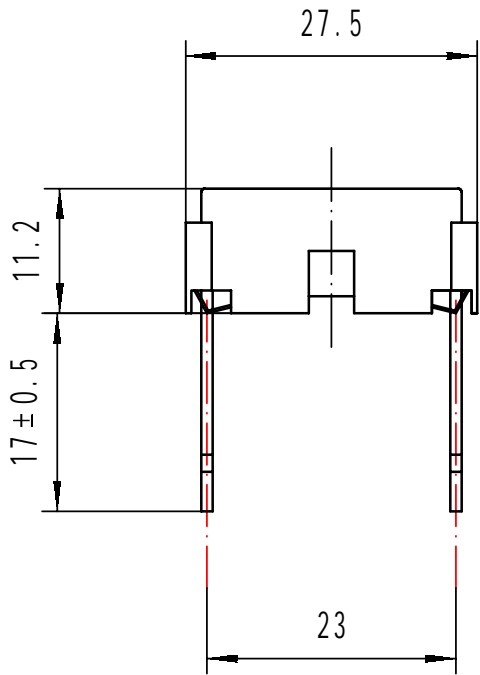
E-Mail: kepo@mail.nbptt.zj.cn  
Http://www.chinaacoustic.com

## 制 品 规 格 书 Engineering Laboratory Specification

客户名称 Customer		凯普型号 Kepo Model	KPT-2421G			
客户型号 Customer NO.		图号 DWG NO.	KP3.840.214			
概述 Scop.	此确认书仅使用于压电式声响器/蜂鸣器 This specification is only used for piezo transducer/buzzer					
编号 NO.	项 目 Items	规 格 Specifications				
1	额定电压 Rated Voltage	12Vp-p Square Wave				
2	工作电压 Operating Voltage	30Vp-p Square Wave				
3	额定电流 Max. Rated Current	3.5mA at 2.5KHz/12Vp-p Square Wave				
4	额定声压 Min. Sound Pressure Level	78dB at 2.5KHz/12Vp-p Square Wave/30cm				
5	静电容量 Capacitance at 100Hz	25000 ± 30% pF				
6	谐振频率 Resonant Frequency	2.5 ± 0.5KHz				
7	壳体材料/颜色 Shell Material/Color	ABS/Black				
8	工作温度 Operating Temperature	-20 ~ +60				
9	贮存温度 Store Temperature	-30 ~ +70				
10	重量 Weight	3g				
备注 Note:						
设计 Designed By	查核 Checked By	承认 Approved By	版本 VER.	1.1	日期 Date	01.09.20

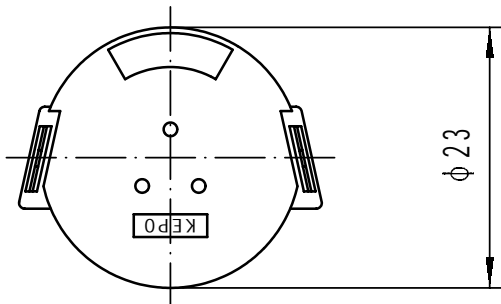
1 2 3 4

A



B

C

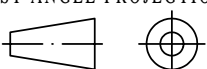


D

TOLERANCES UNLESS NOTED OTHERWISE

.X ±  
.XX ±  
.XXX ±  
90° FORMED +2°  
ANGLES -1°

FIRST ANGLE PROJECTION



	SIGN	DATE
DRAWN		02.06.20
DESIGN		
CHECK		
APPROVED		

CONTRACT NO.

AGENCY APPROVAL

KEPO MODEL NO.	CUSTOMER
KPT-2421G	
DWG NO.	CUSTOMER NO.
KP3.840.214WX	

REV	1.0	SHEET	
UNIT:		SCALE	

**KEPO CO. LTD.**

TEL:(+86)574-88370330  
FAX:(+86)574-88370329

1 2 3 4