

1

2

3

4

5

6

7

8

A

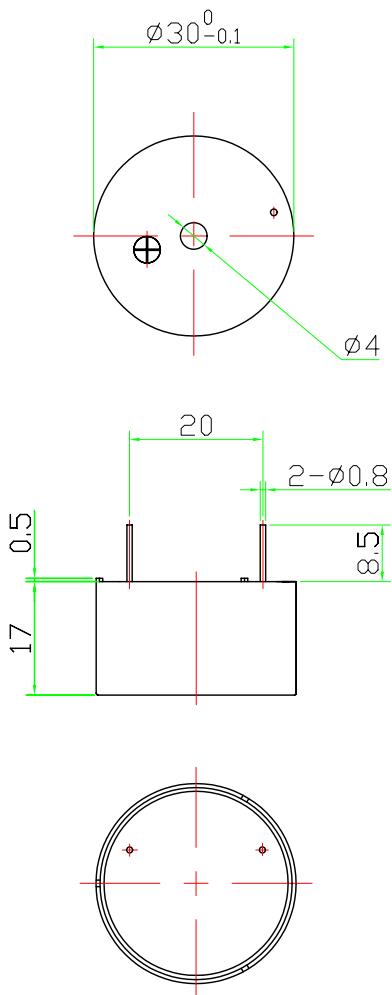
B

C

D

E

F



### Specifications

- 1. Rated Voltage.....12Vp-p Square Wave
- 2. Operating Voltage.....3~30Vp-p Square Wave
- 3. Max. Rated Current.....10mA/12Vp-p Square Wave
- 4. Min. Sound Pressure Level.....85dB /30cm/12Vp-p Square Wave
- 5. Resonant Frequency.....2.0±0.5KHz
- 6. Capacitance at 100Hz.....48000pF±30%
- 7. Shell Material/Color.....PBT/Black
- 8. Operating Temperature.....-20~+70°C
- 9. Store Temperature.....-30~+85°C
- 10. Weight.....6g

						<b>KEPO</b> NINGBO KEEP IMPROVING ELECTRONIC CO.,LTD <a href="http://www.chinaacoustic.com">http://www.chinaacoustic.com</a>	
No.	DESCRIPTION	APPROVED	DATE	Piezo Transducer KPT-3017			
TOLERANCES UNLESS NOTED OTHERWISE X ± .XX ± .XXX ± 90° FORWARD ±2° ANGLES -1° FIRST ANGLE PROJECTION		APPROVALS	DATE				
		CHECKED		mm	SCALE	SHEET	VER 1.0
		APPROVED	03.01.04	NOT TO SCALE			

1

2

3

4

5

6

7

8