

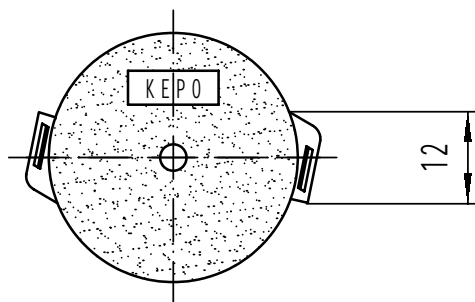
1

2

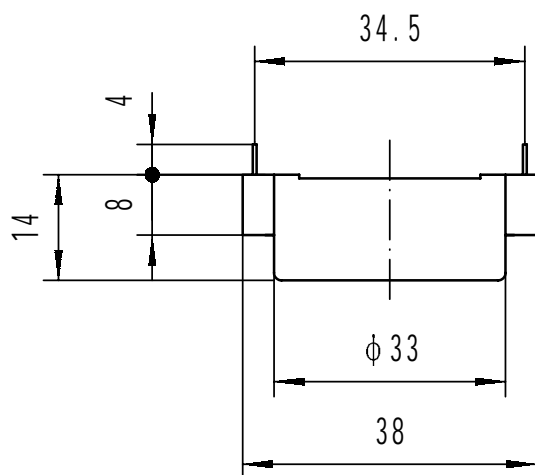
3

4

A

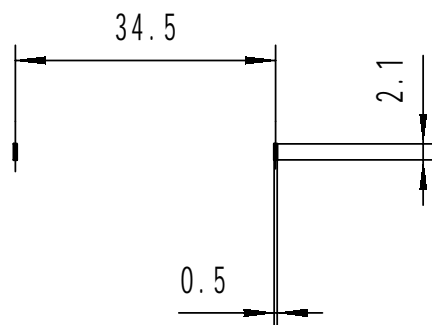


B



C

安装定位尺寸



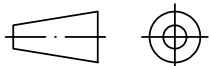
D

TOLERANCES UNLESS NOTED OTHERWISE

.X ±
.XX ±
.XXX ±

90° FORMED +2°
ANGLES -1°

FIRST ANGLE PROJECTION



SIGN

DATE

KEPO MODEL NO.

CUSTOMER

DRAWN

02.06.20

KPT-3335

CUSTOMER NO.

DESIGN

CHECK

DWG NO.

APPROVED

KP3.840.257WX

REV

1.0

SHEET

CONTRACT NO.

UNIT:

SCALE

AGENCY APPROVAL

KEPO CO. LTD.

TEL: (+86)574-88370330

FAX: (+86)574-88370329

1

2

3

4