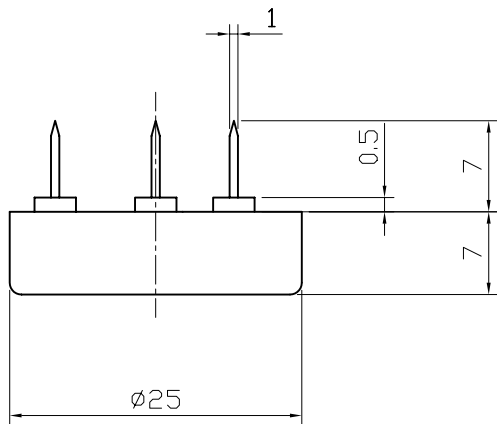


## SPECIFICATION

- 1. Rated Voltage .....12VDC
- 2. Operating Voltage .....3~24VDC
- 3. Max. Rated Current .....16mA at 3.5KHz/12VDC
- 4. Resonant Frequency .....3.5±0.5KHz
- 5. Min. Sound Pressure Level.....88dB at 3.5KHz/12VDC/10cm
- 6. Tone Nature .....Continuous
- 7. Case Material/Color .....PA/Black
- 8. Operating Temperature .....-20~+80℃
- 9. Store Temperature .....-30~+100℃
- 10. Weight .....4g



		<b>KEPO</b> NINGBO KEEP IMPROVING ELECTRONIC CO.,LTD <a href="http://www.chinaacoustic.com">http://www.chinaacoustic.com</a>	
		Piezo Buzzer KPT3-2512	
<small>No.</small>	<small>DESCRIPTION</small>	<small>APPROVED</small>	<small>DATE</small>
<small>TOLERANCES UNLESS NOTED OTHERWISE  X = ±  .XX = ±  .XXX = ±  90° FORMED ±2°  ANGLES -1°  FIRST ANGLE PROJECTION</small>		<small>APPROVALS</small>	<small>DATE</small>
		<small>DRAWN</small>	<small>DATE</small>
		<small>CHECKED</small>	<small>DATE</small>
<small>APPROVED</small>		<small>03.07.03</small>	<small>SCALE</small>
		<small>NOT TO SCALE</small>	<small>SHEET</small>
		<small>UNIT</small>	<small>DWG NO.</small>
		mm	KP3.840.244
		<small>VER</small>	<small>1.0</small>