

1 2 3 4 5 6 7 8

A

B

C

D

E

F

A

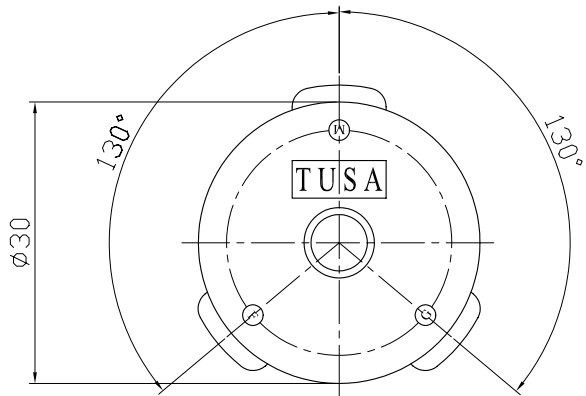
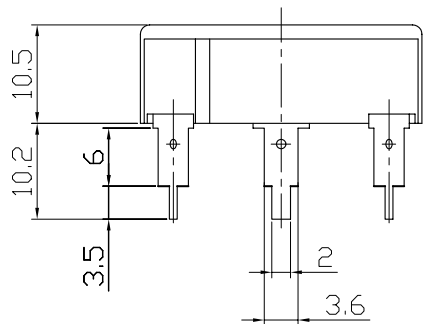
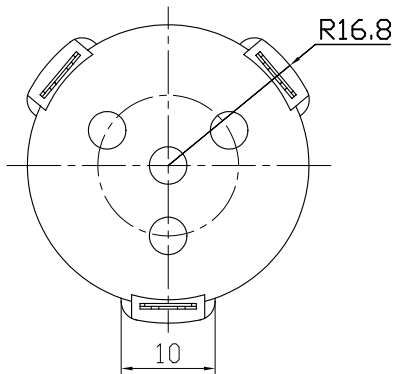
B

C

D

E

F



## SPECIFICATION

- 1. Rated Voltage .....12VDC
- 2. Operating Voltage .....3~28Vdc
- 3. Max. Rated Current ..... 10mA
- 4. Min. Sound Pressure Level .....92dB/30cm/12VDC
- 5. Resonant Frequency .....3.4±0.5KHz
- 6. Shell Material/Color .....PC/Black
- 7. Operating Temperature .....-20~+80 °C
- 8. Store Temperature .....-30~+80 °C
- 9. Weight.....6g

				<b>KEPO</b> NINGBO KEEP IMPROVING ELECTRONIC CO.,LTD <a href="http://www.chinaacoustic.com">http://www.chinaacoustic.com</a>	
				Piezo Buzzer KPT3-3033M	
No.	DESCRIPTION	APPROVED	DATE		
TOLERANCES UNLESS NOTED OTHERWISE X ± .XX ± XXX ± 90° FORWARD +2° ANGLES -1°		APPROVALS	DATE	UNIT	DWG NO.
FIRST ANGLE PROJECTION		CHECKED		mm	KP3.840.266
		APPROVED	03.04.17	SCALE	SHEET
				NOT TO SCALE	VER 1.1

1 2 3 4 5 6 7 8