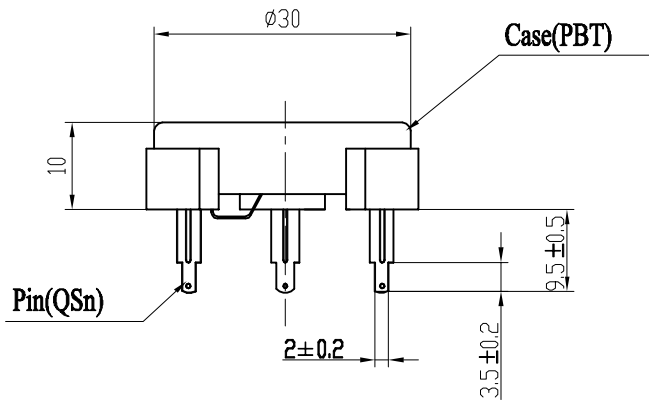
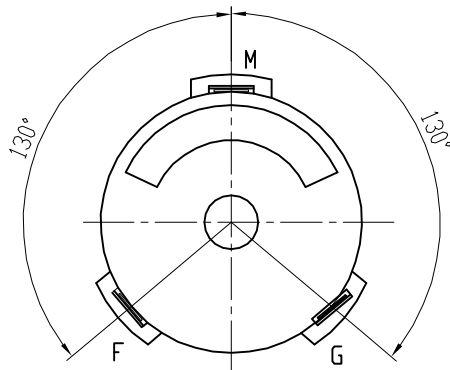


Piezo electric



Pin(QSn)

Case(PBT)



SPECIFICATION

1. Rated Voltage12VDC
2. Operating Voltage3~18VDC
3. Max. Rated Current13mA at 12VDC
4. Min. Sound Pressure Level.....106dB at 12VDC/5cm
5. Tone NatureContinuous
6. Capacitance at 100HzCM:19000pF±30%
.....CF:2000pF±30%
7. Resonant Frequency3.9±0.5KHz
8. Shell Material/ColorPBT/Black
9. Operating Temperature-20~+80°C
10. Store Temperature-30~+100°C
11. Weight6g

				KEPO NINGBO KEPO ELECTRONIC CO.,LTD http://www.chinaacoustic.com	
No.		DESCRIPTION		APPROVED	DATE
TOLERANCES UNLESS NOTED OTHERWISE		APPROVALS		DATE	
XX ±	DRAWN			UNIT	DWG NO.
XXX ±	CHECKED			mm	KP3.840.281
99° FRACTION ±	APPROVED			SCALE	SHEET
ANGLES ±				05.06.27	NOT TO SCALE
FIRST ANGLE PROJECTION					VER. 1.3