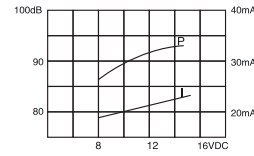
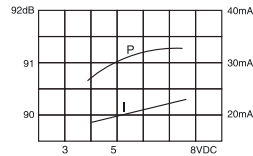
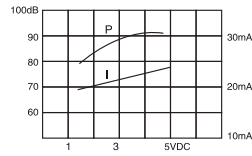
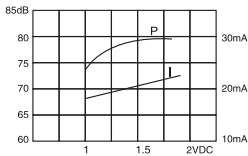
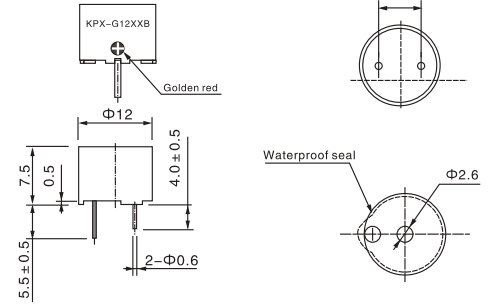


■ ■ ■ KPX-G 12XXB SERIES MAGNETIC BUZZER



color Black
PBT Housing Material
Pin Terminal

DIMENSIONS



Model No	KPX-G1201B	KPX-G1203B	KPX-G1205B	KPX-G1212B
Rated Voltage	1.5VDC	3VDC	5VDC	12VDC
Operating Voltage	1~2VDC	2~5VDC	4~8VDC	8~15VDC
Max Rated Current	30mA			
Min.Sound Pressure Level	75dB/1.5VDC/10cm	85dB/3VDC/10cm	85dB/5VDC/10cm	85dB/12VDC/10cm
Resonant Frequency	3.1 ± 0.5KHz			
Tone Nature	Continuous			
Operating Temperature	-20~+70°C			
Storage Temperature	-30~+80°C			
Weight	2g			



Ningbo Kepo Electronics Co.,Ltd

Tel:(+86)-574-88370330 88371186 Fax:(+86)-574-88370329 Http://www.chinaacoustic.com E-mail:sales@chinaacoustic.com