

BUZZER

Piezo Buzzer Series

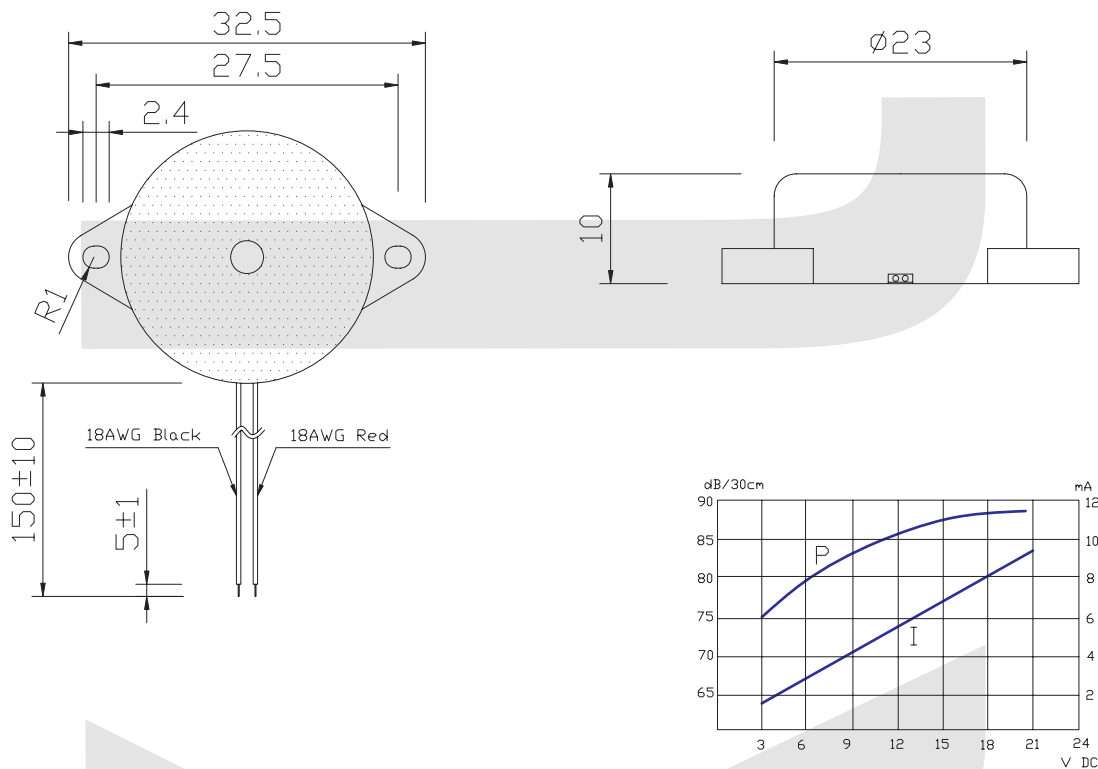
KLS3-LPB-23*10 With Circuit Piezo Buzzer Series

SPECIFICATION

Rated Voltage:	12V _{DC}
Operating Voltage:	3-24V _{DC}
Max. Rated Current:	10mA at 12V _{DC}
Min. S.P.L. (@30cm):	85dB at 12V _{DC}
Resonant Frequency:	3.5 ± 0.5KHz
Tone Nature:	Continuous
Operating Temp:	-20~+60°C
Weight:	3.5g



Dimensions (Unit:mm)



ORDER INFORMATION

Product NO.: KLS3- LPB - 23*10

Part Number _____ Order Code _____
Piezo Buzzer Series _____