

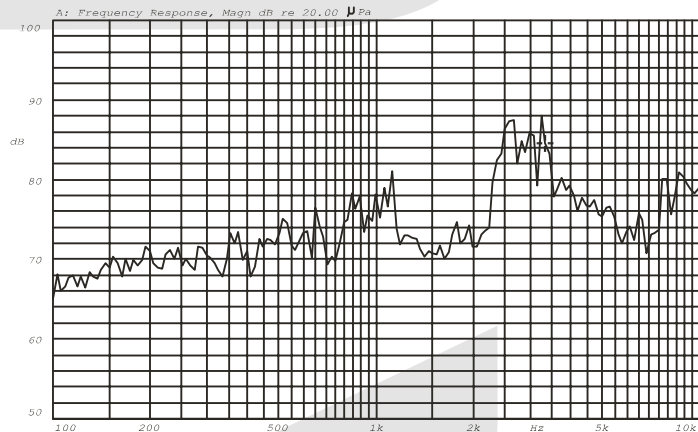
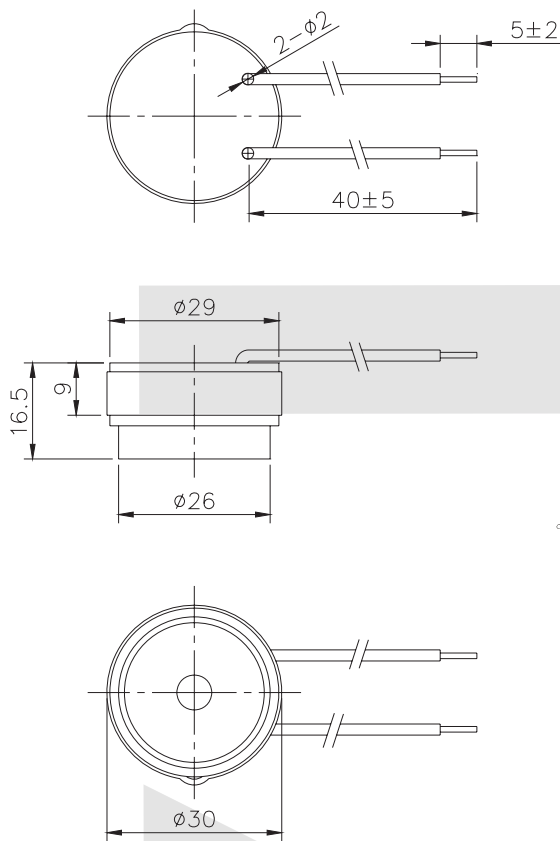
Piezo Transducer Series

KLS3-LPT-30*16 Without Circuit Piezo Transducer Buzzer Series

Order Code	KLS3-LPT-30*16
Rated Voltage	9Vp-p
Operating Voltage	3...28Vp-p
Max. Rated Current	180mA
Resonant Frequency	3.4±0.5KHz
Min.S.P.L. (@10cm)	100dB
Capacitance at 120Hz	25000±30% pF
Operating Temp	-20°C~+70°C
Weight	8g



Dimensions (Unit:mm)



ORDER INFORMATION

Product No.: **KLS3 - LPT - 30*16**

Part Number _____
Without Circuit Piezo Transducer Buzzer Series _____
Order Code _____