

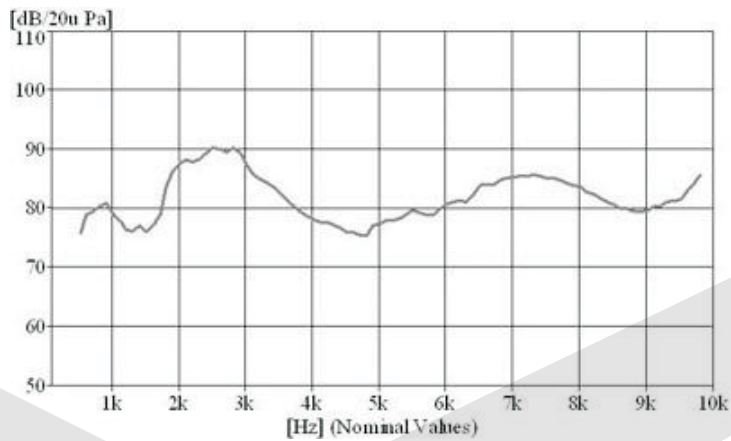
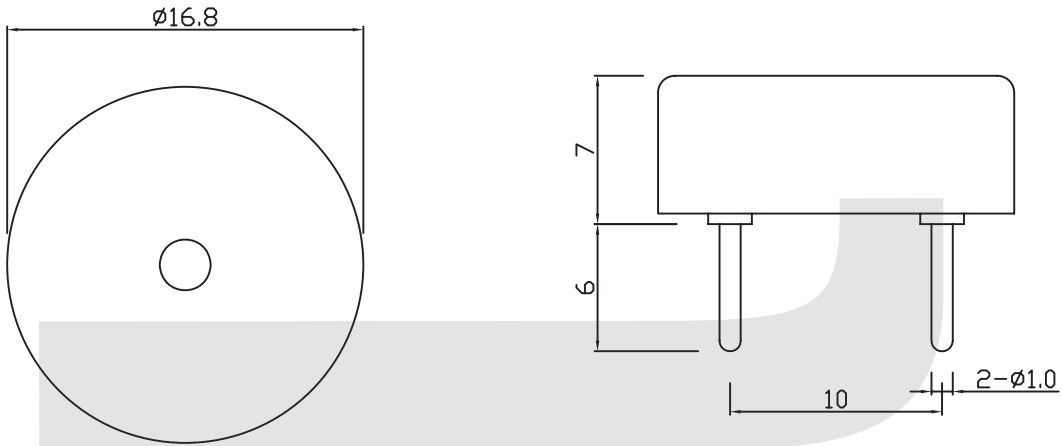
**Piezo Transducer Series**

**KLS3-PT-17\*08 Without Circuit Piezo Transducer Buzzer Series**

Order Code	KLS3-PT-17*08-A	KLS3-PT-17*08-B
Rated Voltage	5Vp-p	9Vp-p
Operating Voltage	1...30Vp-p	1...30Vp-p
Max. Rated Current	1mA	2.5mA
Resonant Frequency	4.0±0.5KHz	4.0±0.5KHz
Min.S.P.L. (@10cm)	85dB	80dB
Capacitance at 1,000Hz	14000±30% Pf	14000±30% Pf
Operating Temp	-20°C~+70°C	-20°C~+70°C
Weight	1g	1g



Dimensions (Unit:mm)



**ORDER INFORMATION**

Product No.: **KLS3 - PT - 17\*08-A**

Part Number \_\_\_\_\_  
Without Circuit Piezo Transducer Buzzer Series \_\_\_\_\_  
Order Code \_\_\_\_\_