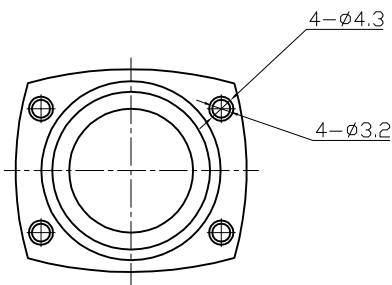
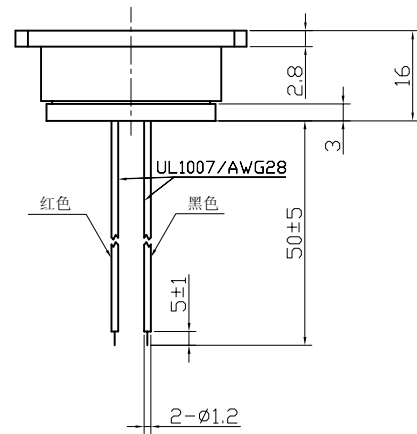
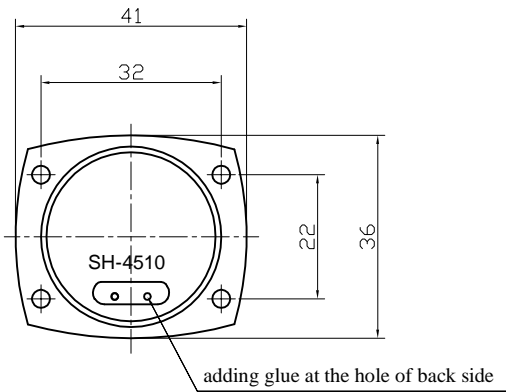


受 控

## SPECIFICATION

1. Rated Voltage .....2.83Vrms Sine Wave
2. Max. Rated Input Voltage .....60Vrms Sine Wave
3. Rated Frequency Range.....2~5KHz
4. Min. Rated Sensitivity.....80±5dB at 2~5KHz/2.83Vrms Sine Wave/30cm
5. Capacitance At 100Hz .....25000pF±30%
6. Shell Material/Color .....ABS/Black
7. Operating Temperature .....-20~+60°C
8. Store Temperature .....-30~+70°C
9. Weight .....10g



				<b>KEPO</b> NINGBO KEPO ELECTRONIC CO.,LTD <a href="http://www.chinaacoustic.com">http://www.chinaacoustic.com</a>	
No.		DESCRIPTION		APPROVED	DATE
<small>TOLERANCES UNLESS NOTED OTHERWISE X = .XX = XXX = 90° FORMED -2° ANGLES -1°</small>		APPROVALS		DATE	
		DRAWN			
<small>FIRST ANGLE PROJECTION</small> 		CHECKED	水成锋		
		APPROVED	梁树棠	11.03.28	
		UNIT	DWG NO.		
		mm	OEM2233		
		SCALE	NOT TO SCALE		SHEET
					VER 1.0