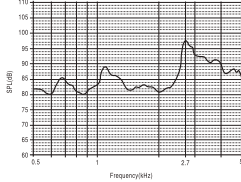


SMT-G7520A MAGNETIC SMD TRANSDUCER

FREQUENCY RESPONSE
[actual curve of type]



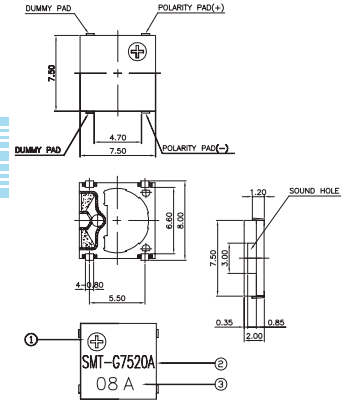
Model No	SMT-G7520A
Rated Voltage	3.6V
Operating Voltage	2.5~4.5V
Max Rated Current	120mA
Coil Resisatance (DC)	12 ± 2Ω
Coil Impedance (AC)	30Ω
Min Sound Pressure Level	85dB/3.6V/10cm
Resonant Frequency	2700Hz
Tone Nature	Continuous
Operating Temperature	-30~+70°C
Storage Temperature	-40~+85°C
Weight	0.27g

RoHS
Compliant



color Black
LCP 6130 Housing Material
SMD Terminal

DIMENSIONS



- ① Polarity Mark (+)
 - ② Model No.
 - ③ Date code
- The first digit is the number of the year. The last digit is the month.
A- January through J- October