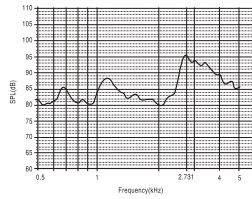


■ ■ ■ SMT-G8530A MAGNETIC SMD TRANSDUCER

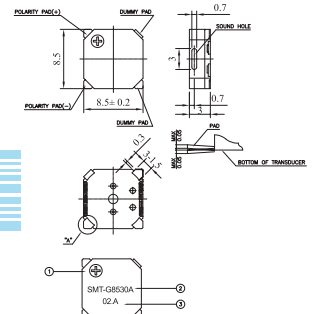
Model No	SMT-G8530A
Rated Voltage	3.6V
Operating Voltage	2.5~4.5V
Max Rated Current	90mA
Coil Resisatance (DC)	16 ± 2.4 Ω
Coil Impedance (AC)	40 Ω
Min Sound Pressure Level	90dB/3.6V/2731Hz/10cm
Resonant Frequency	2731Hz
Tone Nature	Continuous
Operating Temperature	-30~+70°C
Storage Temperature	-40~+85°C
Weight	0.40g

FREQUENCY RESPONSE
[actual curve of type]



color Black
LCP Housing Material
SMD Terminal

DIMENSIONS



- ① Polarity Mark (+)
- ② Model No.
- ③ Data code
The first digit is the number of the year. The last digit is the month.
A- January through J- October

RoHS
Compliant