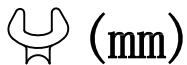


Plastics Cable gland



REVISION RECORD

REV	ECN	DESCRIPTION	DRFT	DATE

PG thread

Claping range (∅)

SW1

SW2

SW3

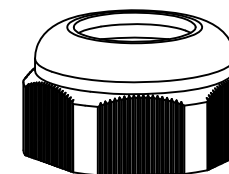
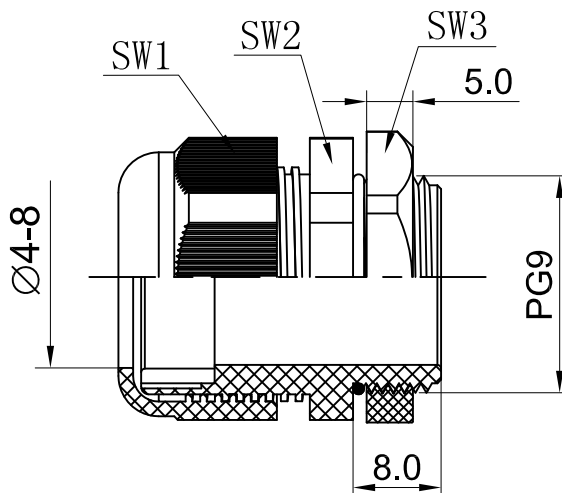
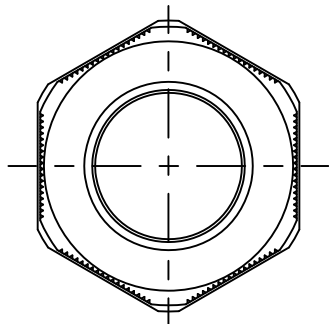
PG9

4-8

18.4

18.7

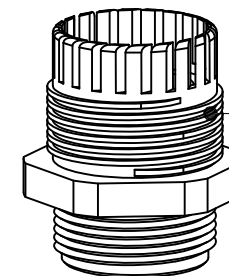
22.0



Sealing nut



Seal



Body



O-Ring



Lock nut

Plastics Cable gland

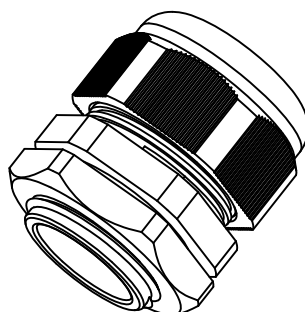
Material:Nylon

Seal Material:NBR

Degree of protection:IP68

Temperature range:-40~100°C

Color:Black



DETACHED LISTS	PART NO.:	/			宁波高松电子有限公司 NINGBO DEGSON ELECTRICAL CO., LTD
	APPD:	NAME:			
	CHKD:	DDL-PG9P-01AH			TITLE: CUSTOMER DRAWING REV D0-1 SHEET 1/1
	DRFT: Mr. Yang 2016.08.18	DRAWING NO.:			
THIRD ANGLE PROJECTION		DO NOT SCALE DRAWING	SCALE	MM (INCH)	SCALE