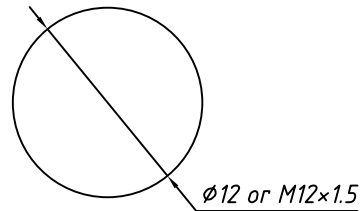
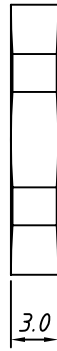
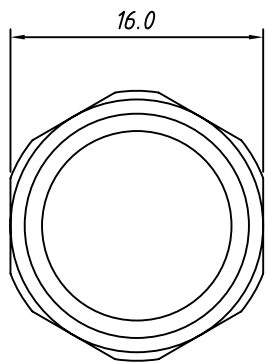


Nut

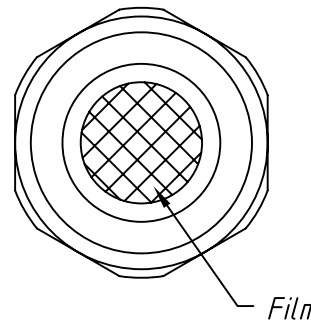
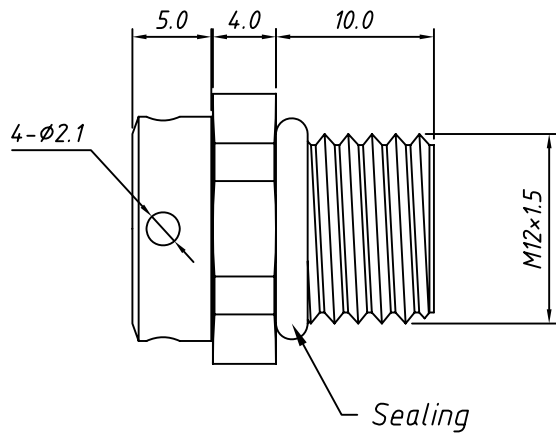


Panel Mounting  
hole diameter

Material  
Material: Aluminum  
Film: EPTFE  
Sealing: NBR, EPDM  
IP rating: IP67  
Thread: M12x1.5  
Panel Mounting: M12x1.5  
Temp. Range: -40 °C ~ +120 °C  
breathable valve Range: 350ml/minute Max.  
Maximum torque: 8Kgf.cm Max.

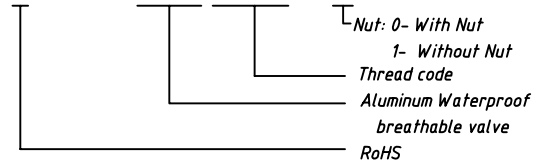


body



Order Information

L-KLS8-VA03 M1201-0 0



GENERAL TOLERANCE		ANGLE TOLERANCE		Description:
X.	±0.60	X.	±5°	M12x1.5 Aluminum waterproof breathable valve
.X	±0.38	.X	±3°	
.XX	±0.25	.XX	±2°	
KLS P/N:		KLS8-VA03M1201-00		
Draw	2018-01-20	PROJECTION		NingBo KLS ELECTRONIC CO.,L TD.
Check	2018-01-20	UNITS	mm	
SCALE		SHEET SIZE	A4	