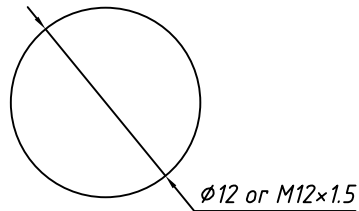
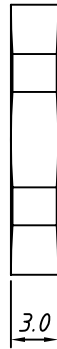
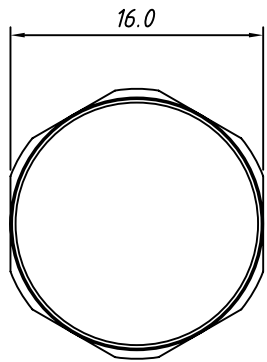


Nut

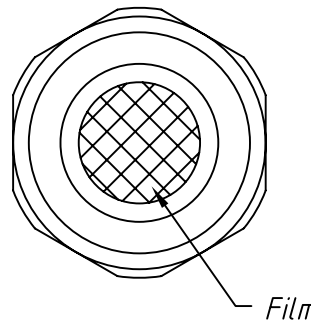
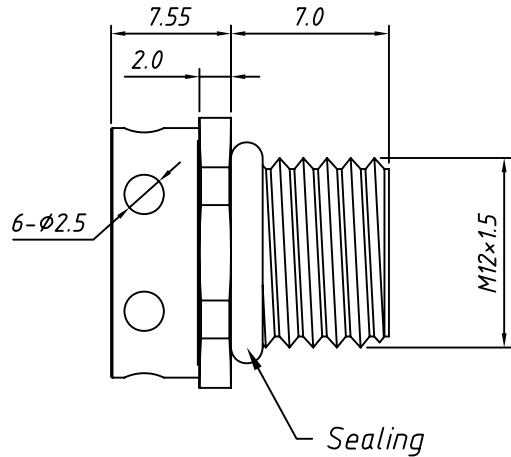


Panel Mounting  
hole diameter

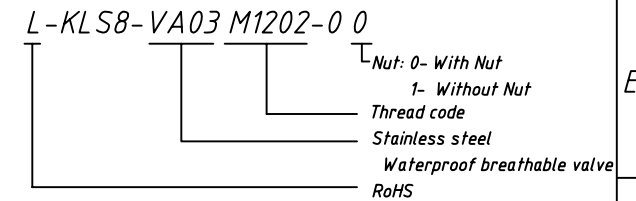
Material	Stainless steel
Material:	EPTFE
Film:	NBR, EPDM
Sealing:	IP67
IP rating:	M12×1.5
Thread:	M12×1.5
Panel Mounting:	-40 °C ~ + 120 °C
Temp. Range:	350ml/minute Max.
breathable valve Range:	8Kgf.cm Max.
Maximum torque:	



body



Order Information



GENERAL TOLERANCE		ANGLE TOLERANCE		Description:	
X. ±0.60		X. ±5°		M12×1.5 Stainless steel waterproof breathable valve	
.X ±0.38		.X ±3°			
.XX ±0.25		.XX ±2°			
KLS P/N:		KLS8-VA03M1202-00			
Draw	2018-01-20	PROJECTION		NingBo KLS ELECTRONIC CO.,L TD.	
Check	2018-01-20	UNITS	mm		
SCALE		SHEET SIZE	A4		