

RH 105°C (CD265)



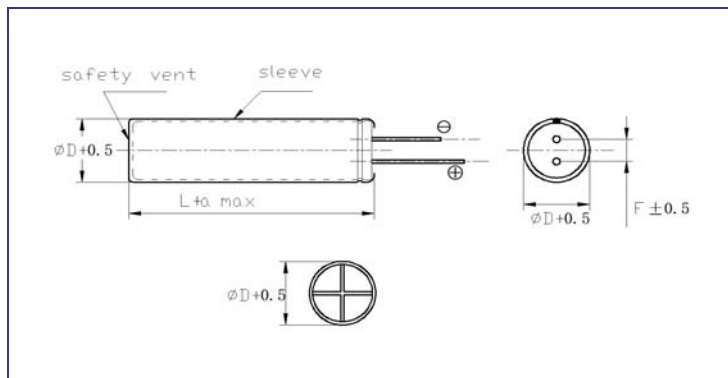
- Long Load life of 105°C 5000h
- Body diameter of Φ8×35 to Φ12.5×60
- TV. with high ripple current capability.
- Adapted to the ROHS directive.

Specifications

Item	Performance Characteristics														
Operating temperature range	-25~ +105°C														
Rated voltage range	160 ~450V														
Nominal capacitance range	22~330µF														
Capacitance tolerance	± 20% (120Hz, +20°C)														
Leakage current	$I \leq 0.02CV + 15$ (µA) (at 20°C, after 5 minutes)														
Dissipation factor (tgδ) (+20°C, 120Hz)	<table border="1"> <tr> <td>U_R (V)</td> <td>160</td> <td>200</td> <td>250</td> <td>400</td> <td>420</td> <td>450</td> </tr> <tr> <td>tg δ</td> <td>0.18</td> <td>0.18</td> <td>0.18</td> <td>0.20</td> <td>0.22</td> <td>0.24</td> </tr> </table>	U _R (V)	160	200	250	400	420	450	tg δ	0.18	0.18	0.18	0.20	0.22	0.24
U _R (V)	160	200	250	400	420	450									
tg δ	0.18	0.18	0.18	0.20	0.22	0.24									
Temperature Characteristics (Impedance ratio at 120Hz)	<table border="1"> <tr> <td>U_R (V)</td> <td>160</td> <td>200</td> <td>250</td> <td>400</td> <td>420</td> <td>450</td> </tr> <tr> <td>Z-25°C / Z+20°C</td> <td>4</td> <td>4</td> <td>5</td> <td>6</td> <td>6</td> <td>6</td> </tr> </table>	U _R (V)	160	200	250	400	420	450	Z-25°C / Z+20°C	4	4	5	6	6	6
U _R (V)	160	200	250	400	420	450									
Z-25°C / Z+20°C	4	4	5	6	6	6									
Load life	After applying rated voltage for Load life of 5000h , at +105°C and then resumed 16 hours: Capacitance change : ±20% Initial measured value Leakage current : ≤ Initial specified value Dissipation factor : ≤ 2times specified value														
Shelf life	After storage for 1000 hours at +105°C and then resumed 16 hours Capacitance change : ±20% Initial measured value Leakage current : ≤ 2times Initial specified value Dissipation factor : ≤ 2times Initial specified value														

Case size table

Unit: mm



D	8	10	12.5
F	3.5	5.0	
d	0.6		
α MAX	2.0		

DIMENSIONS

C _R (μF)	U _R Code	160V		200V		250V		400		420V		450V	
		2C		2D		2E		2G		2M		2W	
22	220							8x45	225	8x50	235	8x50	255
27	270							8x50	265	10x40	265	10x45	285
33	330					8x40	225	10x40	300	10x45	305	10x50	320
39	220					8x45	245	10x45	330	10x50	350	12.5x40	380
47	470					8x50	305	12.5x35	400	12.5x40	420	12.5x45	450
56	560	8x35	260	8x45	285	10x40	335	12.5x40	470	12.5x45	480	12.5x50	500
68	680	8x40	335	8x50	350	10x45	380	12.5x45	530	12.5x50	560	12.5x55	585
82	820	8x45	390	10x40	460	10x50	440	12.5x50	610	12.5x55	625	12.5x60	635
100	101	8x50	470	10x45	490	12.5x45	530	12.5x55	715	12.5x60	730		
120	121	10x40	520	10x50	570	12.5x50	600						
150	151	10x50	650	12.5x45	710	12.5x55	735						
180	181	12.5x40	745	12.5x50	785	12.5x60	830						
220	221	12.5x45	830	12.5x55	880								
270	271	12.5x50	960	12.5x60	1030								
330	331	12.5x55	1100										

└─── Rated ripple current(mA,+105°C,120Hz)

* Note : If you want to use the other capacitance & working voltage types in your circuit. Please consult our technical department.

■ FREQUENCY COEFFICIENT OF ALLOWABLE RIPPLE CURRENT

Frequency(Hz)	60	120	300	1k	10k	100k≤
Coefficient	0.75	1.00	1.25	1.35	1.50	1.50