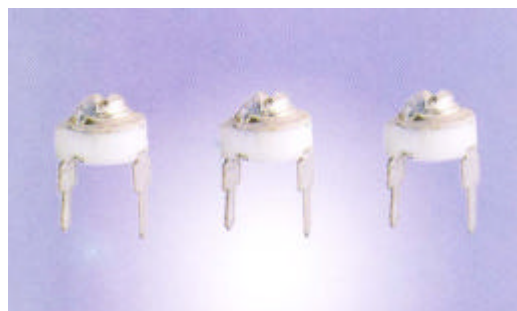


CVO5 Series

● Features

- Lower capacitance drift after setting and stable frequency characteristics in VHF
- Wide range of nominal capacitance:2 to 120 pF
- Linear “Capacitance vs. Temperature” and stable against secular changes



TRIMMER CAPACITOR

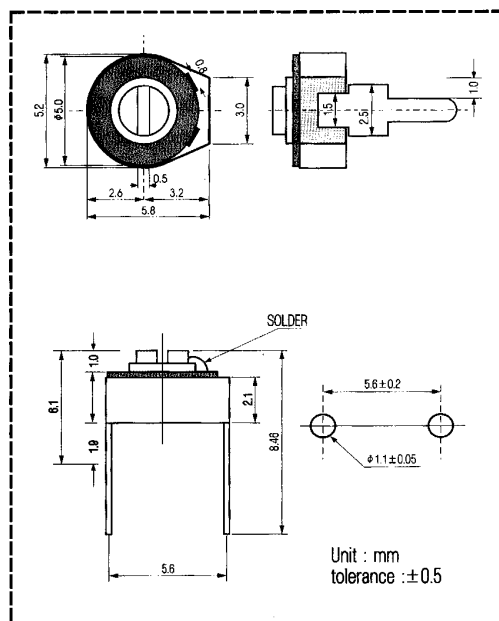
● Parts Numbering

CVO5 □ □ □ □ □

1 **2** **3** **4**

- 1** Ceramic Trimmer Capacitor
 - 2** Temperature Coefficient
 - 3** Capacitance
 - 4** Type(A:normal)
- ※ Packing:200pcs/bag

● Dimensions



● Specifications

- Operating temperature range:-25 °C ~ +85 °C
- Rated working voltage:100V DC
- Dielectric withstanding voltage:220V DC
- Insulation Resistance:10⁴M ohm min.
- Rotation torque:32 ~ 200g.cm

● Ratings

Part Number	Capacitance(pF)		Temperature Coefficient (ppm/°C)	Q(1MHz, Cmax) (min.)	Case Color
	Min.(+0%)	Max			
CVO5A030 □	1.0	3.0 ± ¹⁰⁰ / ₀ %	N P 0 ± 120	300	
CVO5A050 □	2.0	5.0 ± ¹⁰⁰ / ₀ %	N P 0 ± 250	300	
CVO5B100 □	3.0	10.0 ± ¹⁰⁰ / ₀ %	N 750 ± 250	300	
CVO5C200 □	4.8	20.0 ± ⁷⁰ / ₀ %	N 1500 ± 250	300	
CVO5E300 □	5.5	30.0 ± ⁷⁰ / ₀ %	N 1000 ± 250	200	
CVO5G400 □	6.8	40.0 ± ⁵⁰ / ₀ %	N 2200 ± 250	200	
CVO5G500 □	9.0	50.0 ± ⁵⁰ / ₀ %	N 2200 ± 500	200	
CVO5H600 □	12.0	60.0 ± ⁵⁰ / ₀ %	N 2200 ± 500	200	
CVO5H700 □	14.0	70.0 ± ⁵⁰ / ₀ %	N 2200 ± 500	200	
CVO5H900 □	16.0	90.0 ± ⁵⁰ / ₀ %	N 2200 ± 500	200	