

Koshin

KAG Miniature Aluminum Electrolytic Capacitors

Downsize, high ripple design(ϕ 10 to 18)

Rated voltage range:200 to 450Vdc.,Capacitor range :18 to 560 μ F

Endurance with ripple current: 2,000 hours at 105°C

Ideal for low profile power supply applications

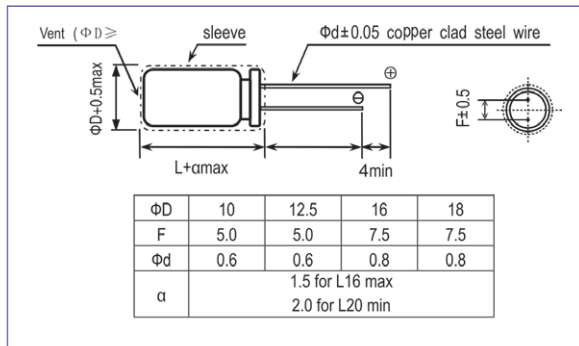
Non solvent resistant type

RoHS Compliant

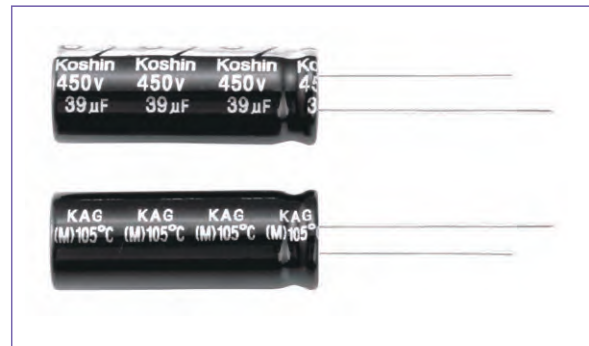
RoHS

Outline Drawing

Unit: mm



Photo



Marking color: white print on purple sleeve

Specifications

No.	Item	Performance						
1	Temperature range (°C)	-40 to +105(200,400Vdc)			-25 to +105(420,450Vdc)			
2	Leakage current (μ A)	Less than 0.02CV or 3 whichever is larger (after two minutes) C: Rated Capacitance (μ F). V: Rated voltage (V) 20°C						
3	Capacitance tolerance (%)	± 20 (20°C, 120Hz)						
4	Tangent of the loss angle (Tan δ)	Rated voltage (V)	200V	400V	420V	450V	20°C 120Hz	
		Tan δ (max)	0.12	0.15	0.20	0.20		
5	Low temperature Characteristics	Rated voltage (V)	200V	400V	420V	450V	120Hz	
		Impedance ratio (max)	$Z_{(-25^\circ\text{C})}/Z_{(+20^\circ\text{C})}$	3	5	6		6
			$Z_{(-40^\circ\text{C})}/Z_{(+20^\circ\text{C})}$	6	6	--		--
6	Endurance (105°C) (Applied ripple current)	Test time	2000hours					
		Leakage current	The initial specified value or less					
		Percentage of capacitance change	Within $\pm 20\%$ of initial value					
		Tangent of the loss angle	200% or less of the initial specified value					
7	Shelf life (105°C)	Test time	1000hours					
		Leakage current	500% of the initial specified value or less					
		Percentage of capacitance change	Within $\pm 20\%$ of initial value					
		Tangent of the loss angle	200% or less of the initial specified value					
8	Applicable standards	JIS-C-5102 and JIS-C-5141						

Coefficient of Frequency for Ripple Current

Frequency (Hz)	120	1K	10K	100K
Capacitance (μ F)				
18 to 82	1.00	1.50	1.75	1.80
100 to 560	1.00	1.30	1.40	1.50

KAG Miniature Aluminum Electrolytic Capacitors

Dimension: Φ DXL(mm)
Ripple Current: mA/rms at 120Hz, 105°C

DIMENSION & PERMISSIBLE RIPPLE CURRENT

V.DC Contents μ F	200V				400V			
	Φ D×L	mA	* Φ D×L	mA	Φ D×L	mA	* Φ D×L	mA
27					10x30	260		
33					10x35	300		
39					10x40	340		
47					12.5x30	370		
56					12.5x35	420		
68					12.5x40	480		
82	10x30	440	-	-	16x30	530		
100	10x35	510	-	-	16x35	580	18x30	580
120	10x40	590	-	-	16x40	670	18x35	670
150	12.5x30	650	-	-	18x35	770		
180	12.5x35	750	-	-	18x40	880		
220	12.5x40	830	-	-	18x45	1000		
270	16x30	960	-	-				
330	16x35	1100	18x30	1100				
390	16x40	1240	18x35	1240				
470	18x40	1390	-	-				
560	18x45	1560	-	-				

V.DC Contents μ F	420V				450V			
	Φ D×L	mA	* Φ D×L	mA	Φ D×L	mA	* Φ D×L	mA
18					10x30	210		
22	10x30	230			10x35	240		
27	10x35	270			10x40	280		
33	10x40	310			12.5x30	310		
39	12.5x30	330			12.5x35	350		
47	12.5x35	390			12.5x40	390		
56	12.5x40	430			16x30	440		
68	16x30	510			16x35	500		
82	16x35	570			16x40	550	18x30	550
100	16x40	610	18x30	610	18x35	650		
120	18x35	690			18x40	740		
150	18x40	790			18x45	810		