

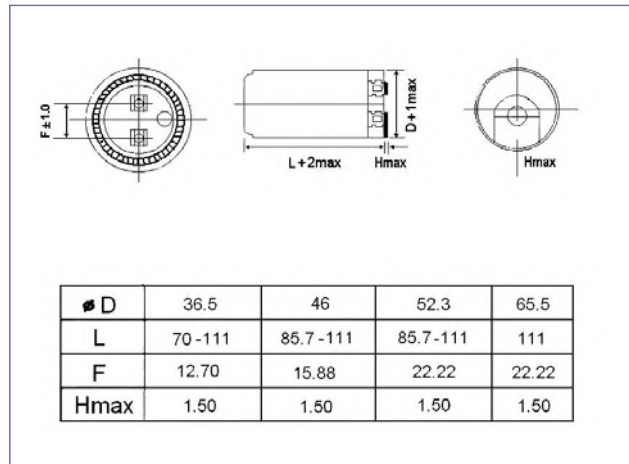
KLT Large Capacitance Aluminum Electrolytic Capacitors

Non-polar jump-start for motor starting, Series KLT

Diameters from $\Phi 36.5$ to $\Phi 65.5$ mm and a height of 111mm

Outline Drawing

Unit: mm



Photo

ROSH



Marking color: black print on yellow sleeve

Specifications

No.	Item	Performance
1	Temperature range (°C)	-25 to +65
2	Rated voltage range (V)	110 ~ 330
3	Rated capacitance range (μF)	21 ~ 1536
4	Capacitance tolerance (%)	$\pm 10\%$ (20°C, 120Hz)
5	Tangent of the loss angle (Tan δ)	< 0.10 (20°C, 100Hz)
6	Endurance (65°C)	According to the working voltage and different capacitance, 0.5-4 minutes switch on electricity one time(1S), 12500 ~ 50000 times
7	The voltage between the terminal	Infliction 1.25 working voltage, 2S
8	The voltage between the terminal and the case	2000VAC 10S, no destroy
9	Applicable standards	JIS-C-5102 and JIS-C-5141

KLT Large Capacitance Aluminum Electrolytic Capacitors

Rated voltage & Dimension & Capacitance

Cap(μ F)	DXL(mm)	WV(V)	110/115	125	165	220	250	330
22			36.5X70	36.5X70	36.5X70	36.5X70	36.5X70	36.5X85.7
27			36.5X70	36.5X70	36.5X70	36.5X70	36.5X70	36.5X85.7
33			36.5X70	36.5X70	36.5X70	36.5X70	36.5X85.7	46X85.7
39			36.5X70	36.5X70	36.5X70	36.5X70	36.5X85.7	46X85.7
47			36.5X70	36.5X70	36.5X70	36.5X85.7	36.5X85.7	46X85.7
52			36.5X70	36.5X70	36.5X70	36.5X85.7	36.5X85.7	46X85.7
59			36.5X70	36.5X70	36.5X70	36.5X85.7	46X85.7	46X111
70			36.5X70	36.5X70	36.5X70	46X85.7	46X85.7	46X111
79			36.5X70	36.5X70	36.5X70	46X85.7	46X85.7	46X111
100			36.5X70	36.5X70	36.5X85.7	46X85.7	46X111	52.3X111
120			36.5X70	36.5X70	36.5X85.7	46X85.7	46X111	65.5X111
130			36.5X70	36.5X70	36.5X85.7	46X111	46X111	65.5X111
150			36.5X70	36.5X70	46X85.7	46X111	46X111	65.5X111
160			36.5X70	36.5X70	46X85.7	52.3X111	52.3X111	65.5X111
180			36.5X70	36.5X70	46X85.7	52.3X111	52.3X111	65.5X111
200			36.5X70	36.5X85.7	46X85.7	52.3X111	65.5X111	65.5X111
230			36.5X85.7	36.5X85.7	46X85.7	65.5X111	65.5X111	65.5X111
250			36.5X85.7	36.5X85.7	46X111	65.5X111	65.5X111	
270			36.5X85.7	36.5X111	46X111	65.5X111	65.5X111	
290			36.5X85.7	36.5X111	46X111	65.5X111	65.5X111	
350			36.5X111	46X85.7	52.3X111			
370			46X85.7	46X85.7	52.3X111			
420			46X85.7	46X85.7	52.3X111			
440			46X85.7	46X85.7	52.3X111			
470			46X85.7	46X85.7	65.5X111			
500			46X85.7	46X85.7	65.5X111			
590			46X111	46X111	65.5X111			
650			46X111	46X111				
710			52.3X111	52.3X111				
780			52.3X111	52.3X111				
790			52.3X111	52.3X111				
880			52.3X111	52.3X111				
900			52.3X111	65.5X111				
910			65.5X111	65.5X111				
930			65.5X111	65.5X111				
1100			65.5X111					
1300			65.5X111					
1400			65.5X111					