

KPL Large Capacitance Miniature Aluminum Electrolytic Capacitors

High-Reliability ,High-Ripple Current, Long-Life Capacitors, Series KPL.

High-Reliability High-Ripple Capacitors

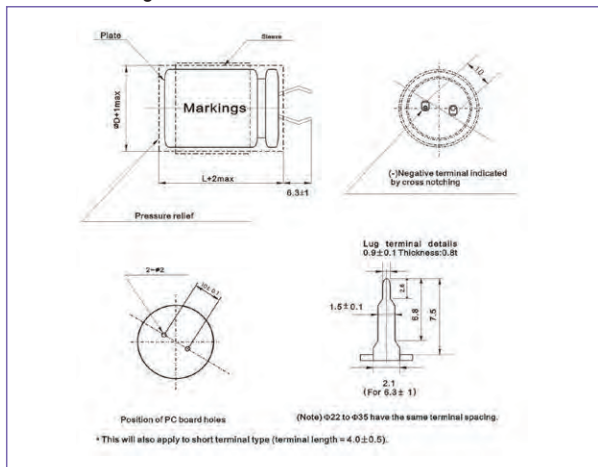
Long-Life: 7000 hours at 105°C

RoHS

Outline Drawing

Unit: mm

Photo



Marking color: white print on black sleeve

Specifications

No.	Item	Performance							
1	Temperature range (°C)	-25 to +105							
2	Leakage current (μA)	Less than 0.02CV or 3mA whichever is smaller(after five minutes),C: Capacitance(μF),V: Rated voltage (V) 20°C							
3	Capacitance tolerance (%)	±20 (20°C, 120Hz)							
4	Tangent of the loss angle (Tan δ)	Rated voltage (V)	160	200	250	350	400	450	20°C, 120Hz
		Tan δ (max)	0.15	0.15	0.15	0.15	0.15	0.20	
5	Low temperature characteristics	Percentage of capacitance change (%)	-25°C	Within ±30% of the value at 20°C				120Hz	
		Impedance ratio (max)	$Z_{(-25°C)} / Z_{(+20°C)}$	4					
6	Endurance (105°C) (Applied ripple current)	Test time	7000hours						
		Leakage current	The initial specified value or less						
		Percentage of capacitance change	Within ±20% of initial value						
		Tangent of the loss angle	250% or less of the initial specified value						
7	Shelf life (105°C)	Test time	1000hours						
		Leakage current	The initial specified value or less						
		Percentage of capacitance change	Within ±15% of initial value						
		Tangent of the loss angle	150% or less of the initial specified value						
8	Applicable standards	JIS-C-5102 and JIS-C-5141							

Coefficient of Frequency for Ripple Current

Rated Voltage (V)	Frequency (Hz)			
	50	120	1K	10-50K
160 to 250	0.80	1.00	1.25	1.47
350 to 400	0.80	1.00	1.30	1.47

KPL Large Capacitance Miniature Aluminum Electrolytic Capacitors

Dimension: Φ DXL(mm)
Ripple Current: A/rms at 120Hz, 105°C

DIMENSION & PERMISSIBLE RIPPLE CURRENT

V.DC Contents μ F	160V								200V							
	Φ DXL	A	Φ DXL	A	Φ DXL	A	Φ DXL	A	Φ DXL	A	Φ DXL	A	Φ DXL	A	Φ DXL	A
220									22X25	1.0						
270	22X25	1.10							22X30	1.10	25X25	1.10				
330	22X30	1.20							22X30	1.20	25X25	1.20				
390	22X30	1.30	25X25	1.30					22X35	1.30	25X30	1.30	30X25	1.30		
470	22X35	1.40	25X30	1.40					22X40	1.40	25X35	1.40	30X30	1.40		
560	22X40	1.50	25X30	1.50	30X25	1.50			22X45	1.50	25X35	1.50	30X30	1.50		
680	22X45	1.70	25X35	1.70	30X30	1.70					25X40	1.70	30X35	1.70		
820			25X40	2.00	30X30	2.00					25X50	2.00	30X40	2.00	35X30	2.00
1000			25X45	2.20	30X35	2.20							30X45	2.20	35X35	2.20
1200			25X50	2.3	30X40	2.30	35X35	2.30					30X50	2.30	35X40	2.30
1500					30X45	2.50	35X35	2.50							35X50	2.50
1800					30X50	2.7	35X40	2.70								
2200							35X50	2.90								

V.DC Contents μ F	250V								350V							
	Φ DXL	A	Φ DXL	A	Φ DXL	A	Φ DXL	A	Φ DXL	A	Φ DXL	A	Φ DXL	A	Φ DXL	A
82									22X25	0.64						
100									22X30	0.69						
120									22X35	0.75	25X30	0.75				
150									22X40	0.82	25X30	0.82	30X25	0.82		
180	22X30	0.90	25X25	0.90					22X45	0.90	25X35	0.90	30X30	0.90		
220	22X30	1.00	25X25	1.00					22X50	1.00	25X40	1.00	30X30	1.00		
270	22X35	1.10	25X30	1.10	30X25	1.10					25X50	1.10	30X35	1.10	35X30	1.10
330	22X40	1.20	25X35	1.20	30X25	1.20							30X45	1.20	35X35	1.20
390	22X45	1.30	25X35	1.30	30X30	1.30							30X50	1.30	35X40	1.30
470			25X45	1.40	30X35	1.40	35X30	1.40							35X40	1.40
560			25X50	1.50	30X35	1.50	35X30	1.50							35X50	1.50
680					30X45	1.70	35X35	1.70								
820					30X50	2.00	35X40	2.00								
1000							35X45	2.20								
1200							35X50	2.30								

KPL Large Capacitance Miniature Aluminum Electrolytic Capacitors

Dimension: Φ DXL(mm)
Ripple Current: A/rms at 120Hz, 105°C

DIMENSION & PERMISSIBLE RIPPLE CURRENT

V.DC Contents μ F	400V								450V							
	Φ DXL	A	Φ DXL	A	Φ DXL	A	Φ DXL	A	Φ DXL	A	Φ DXL	A	Φ DXL	A	Φ DXL	A
39									22X25	0.37						
47									22X30	0.40						
56									22X35	0.47	25X25	0.47				
68									22X40	0.53	25X30	0.53				
82	22X35	0.64	25X25	0.64					22X45	0.56	25X35	0.56				
100	22X35	0.69	25X30	0.69					22X50	0.64	25X40	0.64	30X30	0.64		
120	22X40	0.75	25X35	0.75	30X25	0.75					25X45	0.72	30X30	0.72		
150	22X50	0.82	25X40	0.82	30X30	0.82					25X50	0.79	30X40	0.79	35X30	0.79
180			25X45	0.90	30X35	0.90	35X25	0.90					30X45	0.87	35X35	0.87
220			25X50	1.00	30X40	1.00	35X30	1.00					30X50	1.00	35X40	1.00
270					30X45	1.10	35X35	1.10							35X45	1.20
330					30X50	1.20	35X40	1.20							35X50	1.38
390							35X45	1.3								
470							35X50	1.40								