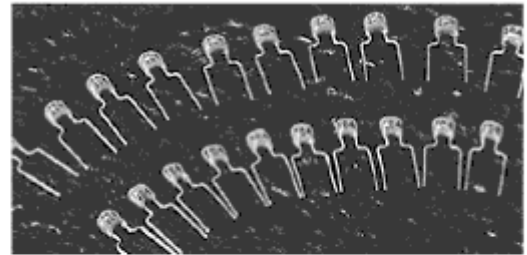


Конденсаторы

Керамические - Радиальные (K10-17)

FEATURES

- + Wide capacitance, TC, voltage and tolerance range
- + Industry standard sizes
- + Tape and Reel available for auto placement
- + Various lead spacing available



HOW TO ORDER

CC4	0805	CG	102	K	500	F
CC4: 1	Size code inches	Dielectric	Nominal Capacitance	Tolerance	Rated Voltage	Packaging Style
Class I Radial leads MLC	0805 0.08 x 0.05	CG COG (NPO)	102 10 x 10 ²	B ±0.10PF	160 16 x 10 ⁰	Tape & Reel P Ammo
CT4: 2	1206 0.12 x 0.06	B X7R	5R0 5.0	C ±0.25PF	250 25 x 10 ⁰	T Reel
Class II Radial leads MLC	1210 0.12 x 0.10	F Y5V		D ±0.5PF	500 50 x 10 ⁰	F Bulk (mm) F ₁ 2.54 F ₂ 4.57 F ₃ 5.08 F ₄ 7.5 F ₅ 3.5
	1812 0.18 x 0.12	E Z5U		F ±1.0%	630 63 x 10 ⁰	
	2225 0.22 x 0.25			G ±2.0%	101 10 x 10 ¹	
	3035 0.30 x 0.35			J ±5.0%	201 20 x 10 ¹	
				K ±10%	501 50 x 10 ¹	
				M ±20%	102 10 x 10 ²	
				S +50-20%	202 20 x 10 ²	
				Z +80-20%		
				P ±100%		

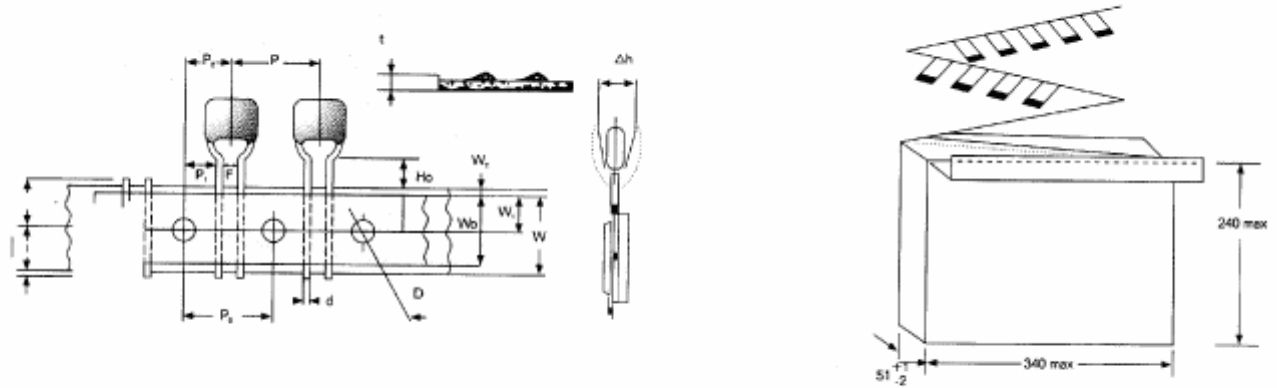
Size Code	Dimensions: (mm)					Voltage	Capacitance (PF)		
	F(±0.2)	Hmin(±0.5)	Lmax	Wmax	Tmax		COG (NPO)	X7R	Y5V (Z5U)
0805	a	2.54	5.0						
	b	2.54	10.0						
	c ₁	5.08	5.0 10.0	4.2	3.8	3.8	25V 0R-332	331-104	103-105
	c ₂	5.08	5.0				50V 0R5-222	331-473	103-684
	c ₃	5.08	5.0 10.0				100V 0R5-102	331-223	
1206	a	2.54							
	b	3.50	10.0	5.0	4.5	3.8	25V 0R5-682	102-224	103-125
	c ₁	5.08					50V 0R5-472	102-104	103-105
1210	b	3.50	10.0	7.6	5.5	3.8	25V 561-103	102-334	104-155
	c ₁	5.08					50V 561-682	102-224	104-155
							100V 561-472	102-104	
1812	b	4.75	10.0	8.5	8.5	3.8	25V 102-153	103-474	154-335
							50V 102-103	103-334	154-325
							100V 102-682	103-224	
2225	b	5.50	10.0	10.5	9.5	4.2	25V 102-223	103-105	684-475
							50V 102-223	103-105	684-335
							100V 102-103	103-474	
3035	b	7.50	10.0	12.5	10.5	4.2	25V 102-104	103-225	105-106
							50V 102-473	103-225	105-685
							100V 102-333	103-105	

Конденсаторы

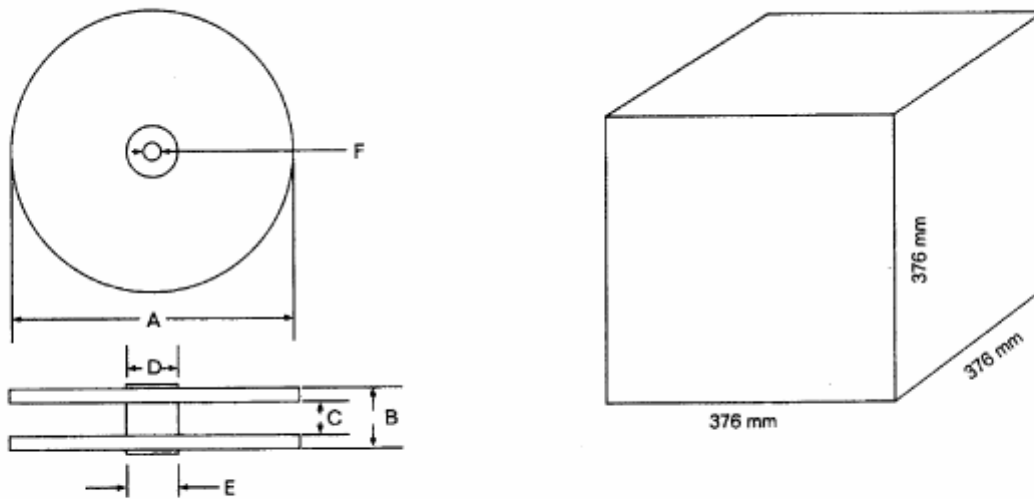
Керамические - Радиальные (K10-17)

PACKAGING STYLE

Ammo package



Code	P	P ₀	P ₁	P ₂	d	h	W	W ₀	W ₁	W ₂	H ₀	1	D	t	L ₀
Dim	12.7	12.7	$3.75_{\pm 0.1}$	6.35	0.5	0	18	13	9	3.0	7-12	1.0	4.0	0.7	11
Tol.	± 1	± 0.8	± 0.7	± 1.3	± 0.1	± 2	± 0.8	± 1	± 0.5	MAX	± 0.5	MAX	MAX	MAX	MAX



Reel Package (mm)

A	B	C	D	E	F
355-365	50.8 max	38.10 – 46.02	102.01 max	86.36 max	25.40 – 30.48

Packaging Quantity

Ammo	Reel Package	Bulk Package
2500	4000	1000 , 5000

Remark:

Pitch = 2.54 P1 = 5.1 ± 0.7
 Pitch = 5.08 P1 = 3.75 ± 0.7

РАДИОТЕХ

Тел.: (495) 795-08-05
 Факс: (495) 545-08-69
 Эл. почта: info@rct.ru
 Веб: www.rct.ru