

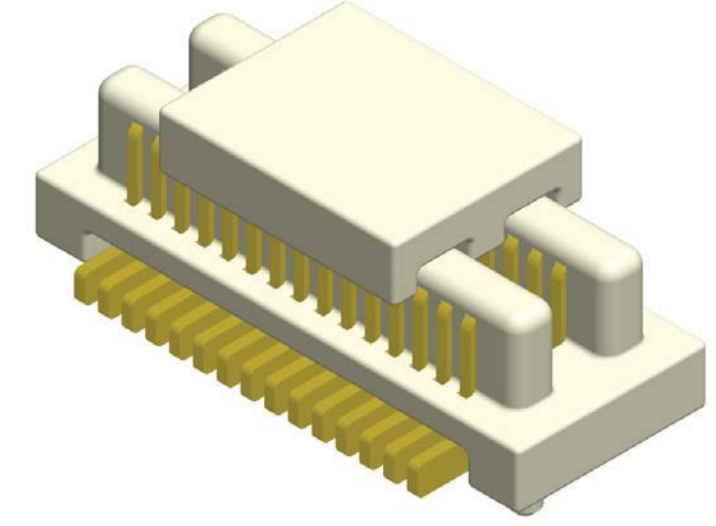
Board To Board Male 0.5mm H=2.4/2.9/3.9/4.4mm

SPECIFICATION

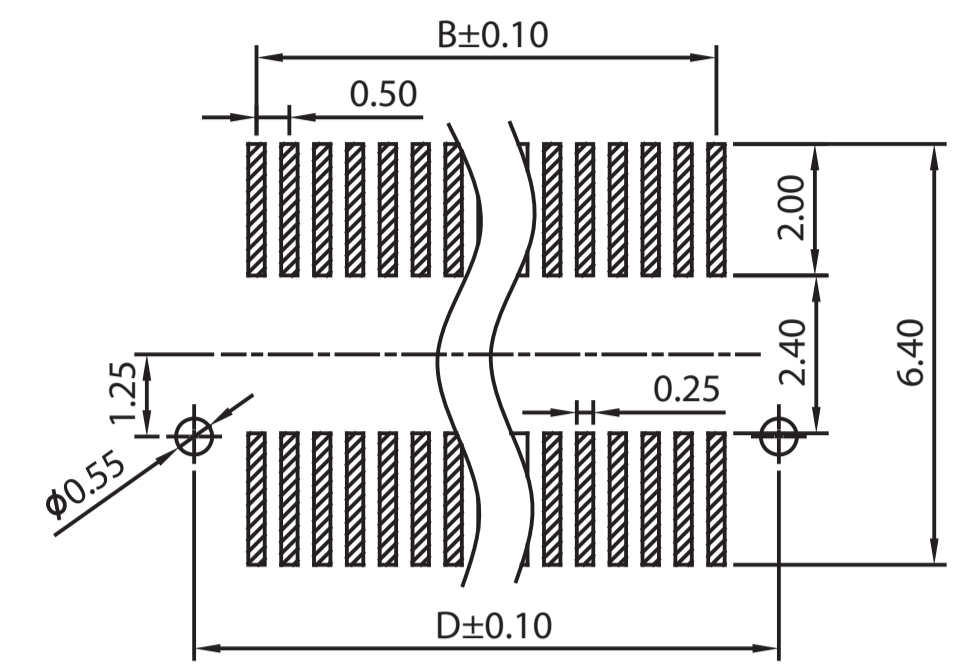
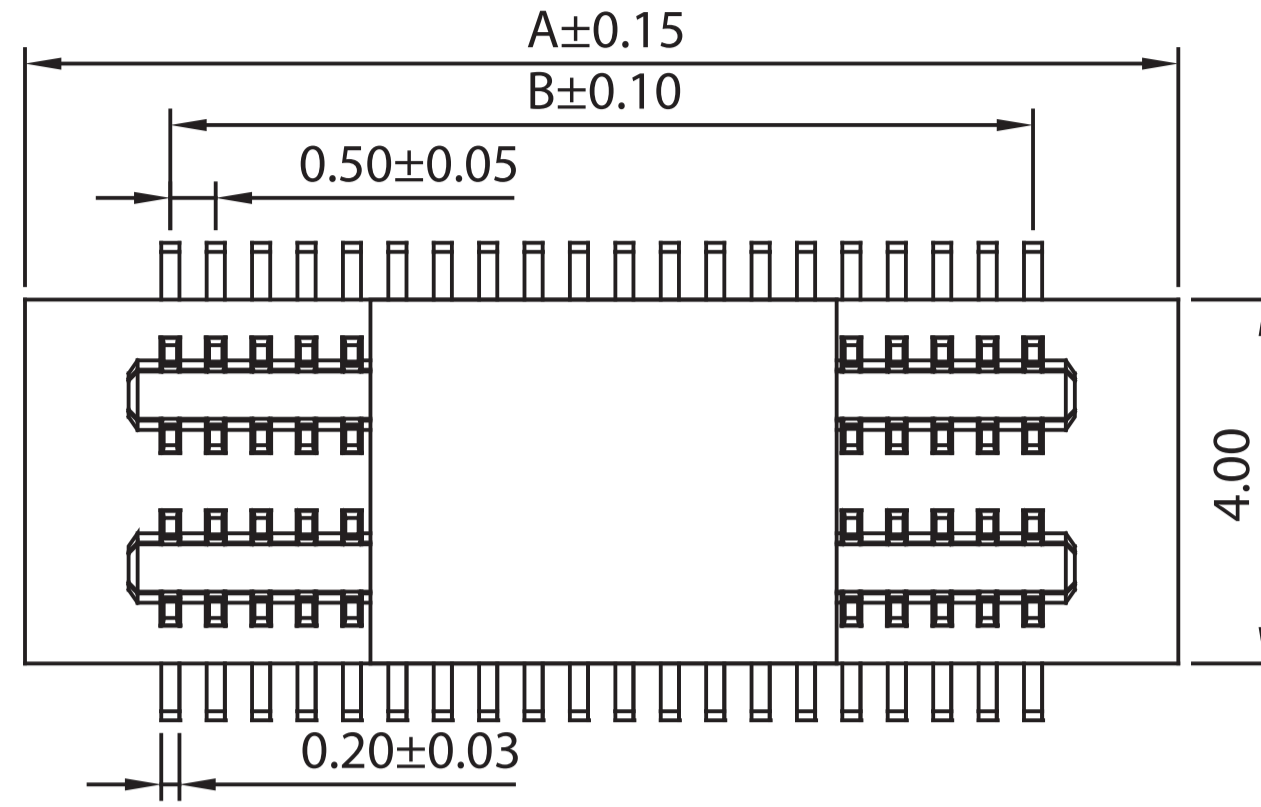
Current Rate:0.5 AMP
 Insulation Resistance:100MΩ Min.
 Contact Resistance:30mΩ Max.
 Dielectric Voltage:50V AC for one minute
 Operation Temperature:-25° C to +105°C

MATERIAL

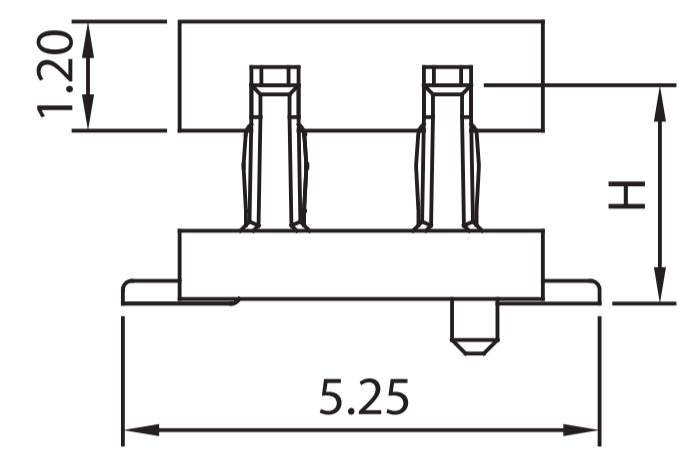
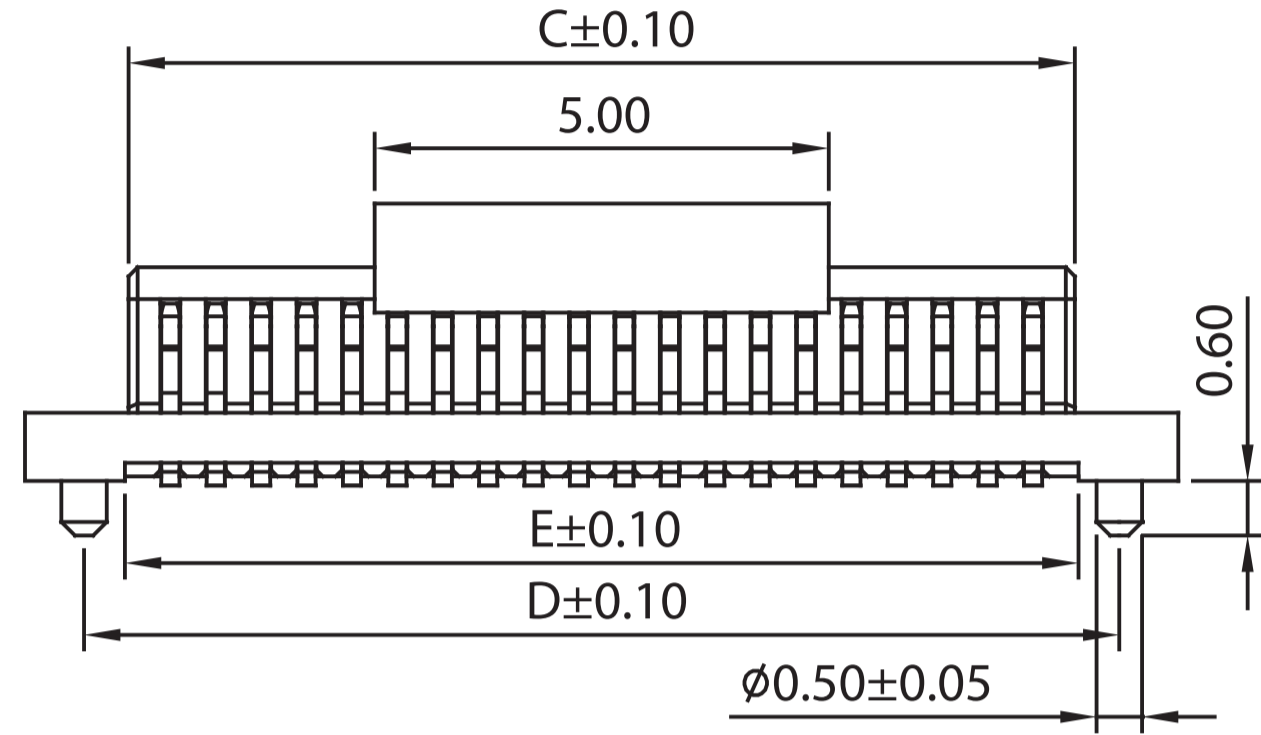
Insulator:Polyester,UL 94V-0
 Standard:Nylon 46
 Contact Pin:Phosphor Bronze
 Contact Plating:Gold Flash all over



No. of Contacts	Dimensions				
	A	B	C	D	E
10	5.20	2.00	2.92	3.90	3.00
12	5.70	2.50	3.42	4.40	3.50
14	6.20	3.00	3.92	4.90	4.00
16	6.70	3.50	4.42	5.40	4.50
18	7.20	4.00	4.92	5.90	5.00
20	7.70	4.50	5.42	6.40	5.50
22	8.20	5.00	5.92	6.90	6.00
24	8.70	5.50	6.42	7.40	6.50
26	9.20	6.00	6.92	7.90	7.00
28	9.70	6.50	7.42	8.40	7.50
30	10.20	7.00	7.92	8.90	8.00
32	10.70	7.50	8.42	9.40	8.50
34	11.20	8.00	8.92	9.90	9.00
36	11.70	8.50	9.42	10.40	9.50
38	12.20	9.00	9.92	10.90	10.00
40	12.70	9.50	10.42	11.40	10.50
42	13.20	10.00	10.92	11.90	11.00
44	13.70	10.50	11.42	12.40	11.50
46	14.20	11.00	11.92	12.90	12.00
48	14.70	11.50	12.42	13.40	12.50
50	15.20	12.00	12.92	13.90	13.00
60	17.70	14.50	15.42	16.40	15.50
80	22.70	19.50	20.42	21.40	20.50
90	25.20	22.00	22.92	23.90	23.00
100	27.70	24.50	25.42	26.40	25.50
120	32.70	29.50	30.42	31.40	30.50



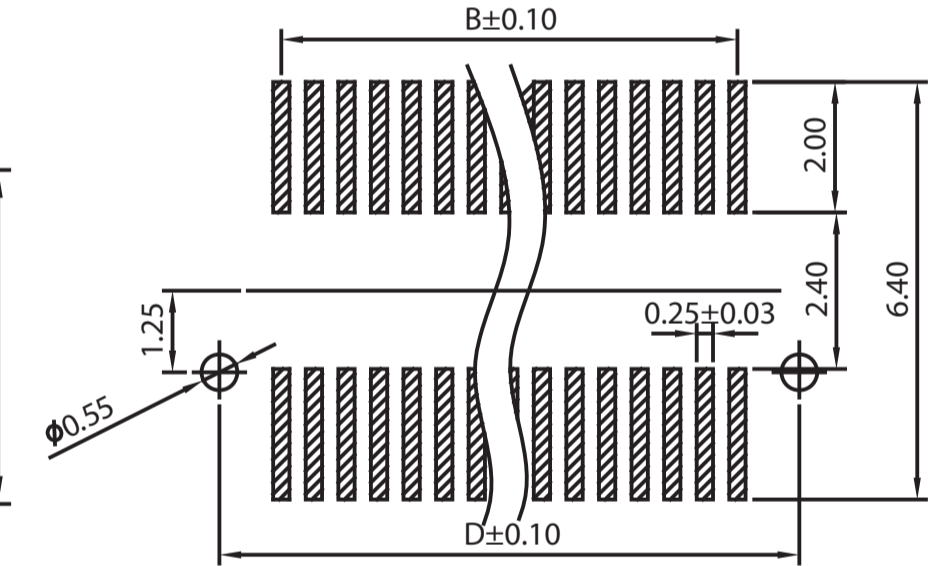
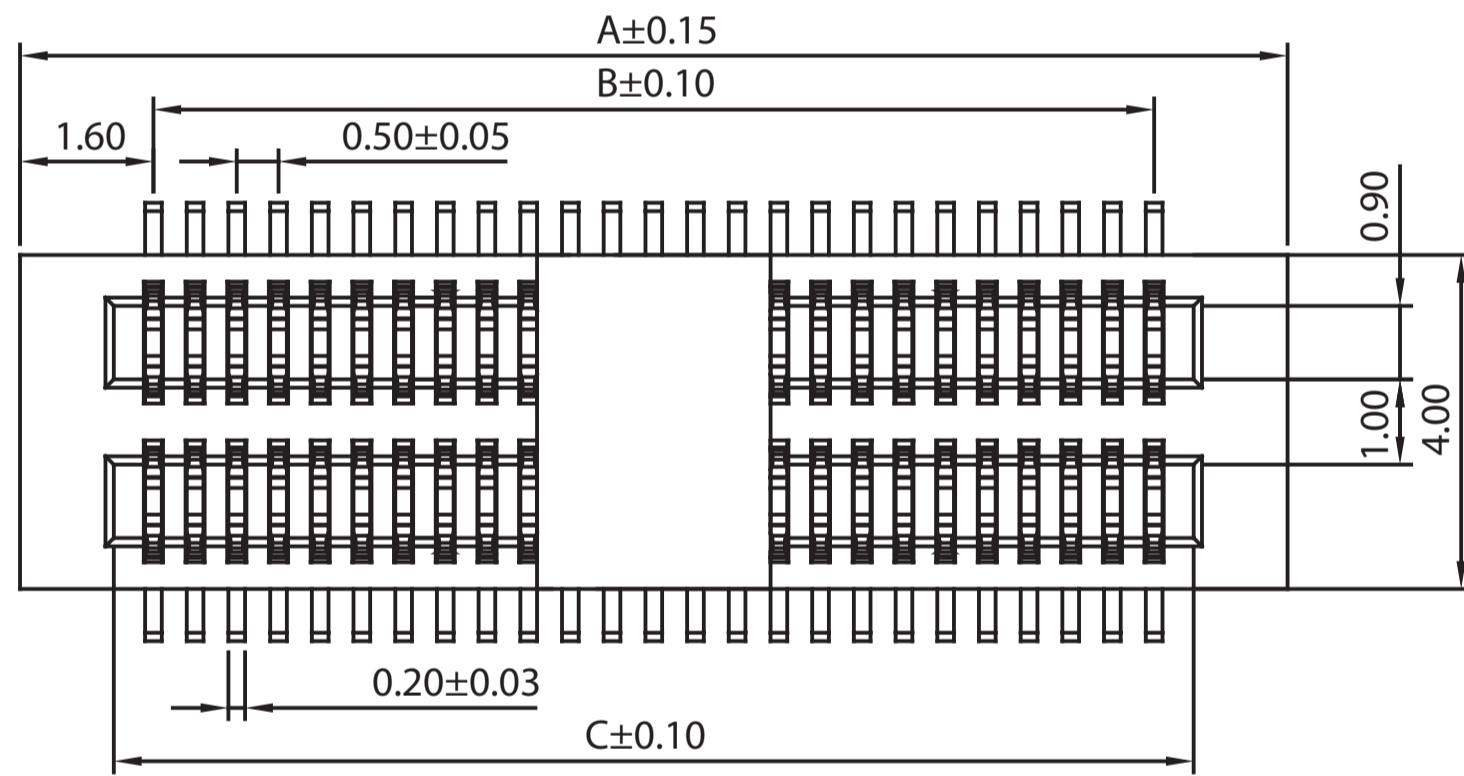
Recommended PCB Layout (PCB TOLERANCE ±0.05)



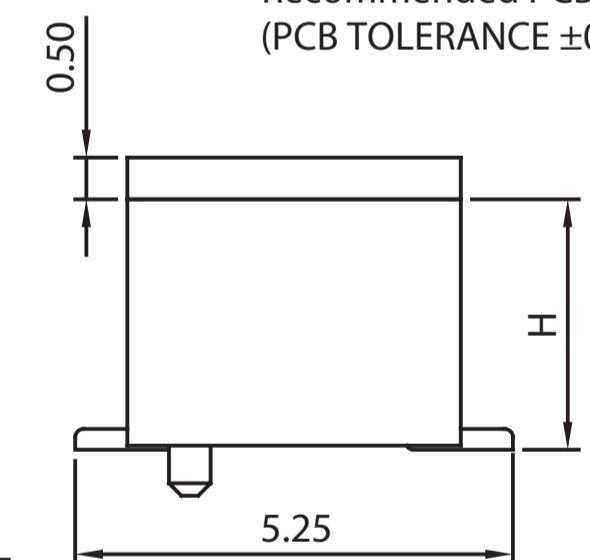
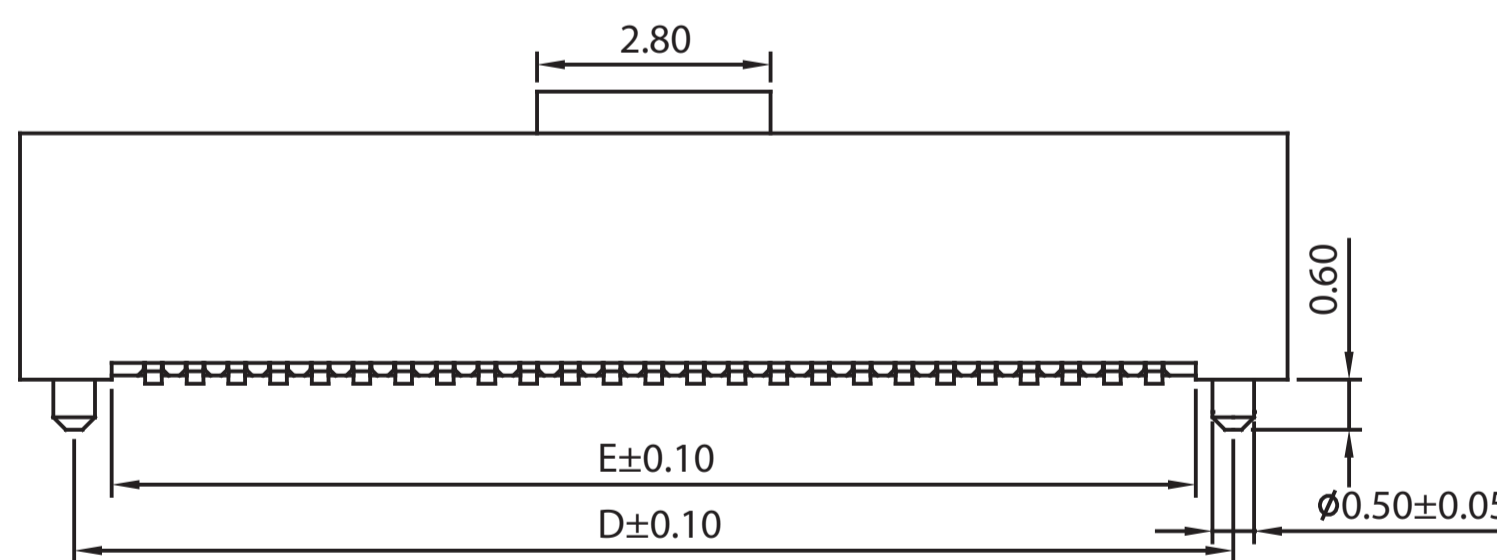
Part No.:BTB05MH 2.4/2.9/3.9/4.4-XX-U

Board To Board Female 0.5mm H=2.2/2.7/3.0/3.2/3.5mm

No. of Contacts	Dimensions				
	A	B	C	D	E
10	5.20	2.00	2.95	3.90	3.00
12	5.70	2.50	3.45	4.40	3.50
14	6.20	3.00	3.95	4.90	4.00
16	6.70	3.50	4.45	5.40	4.50
18	7.20	4.00	4.95	5.90	5.00
20	7.70	4.50	5.45	6.40	5.50
22	8.20	5.00	5.95	6.90	6.00
24	8.70	5.50	6.45	7.40	6.50
26	9.20	6.00	6.95	7.90	7.00
28	9.70	6.50	7.45	8.40	7.50
30	10.20	7.00	7.95	8.90	8.00
32	10.70	7.50	8.45	9.40	8.50
34	11.20	8.00	8.95	9.90	9.00
36	11.70	8.50	9.45	10.40	9.50
38	12.20	9.00	9.95	10.90	10.00
40	12.70	9.50	10.45	11.40	10.50
42	13.20	10.00	10.95	11.90	11.00
44	13.70	10.50	11.45	12.40	11.50
46	14.20	11.00	11.95	12.90	12.00
48	14.70	11.50	12.45	13.40	12.50
50	15.20	12.00	12.95	13.90	13.00
60	17.70	14.50	15.45	16.40	15.50
80	22.70	19.50	20.45	21.40	20.50
90	25.20	22.00	22.95	23.90	23.00
100	27.70	24.50	25.45	26.40	25.50
120	32.70	29.50	30.45	31.40	30.50



Recommended PCB Layout (PCB TOLERANCE ±0.05)



Part No.:BTB05FH 2.2/2.7/3.0/3.2/3.5-XX-U

ORDER INFORMATION

