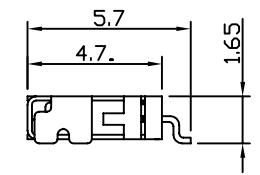
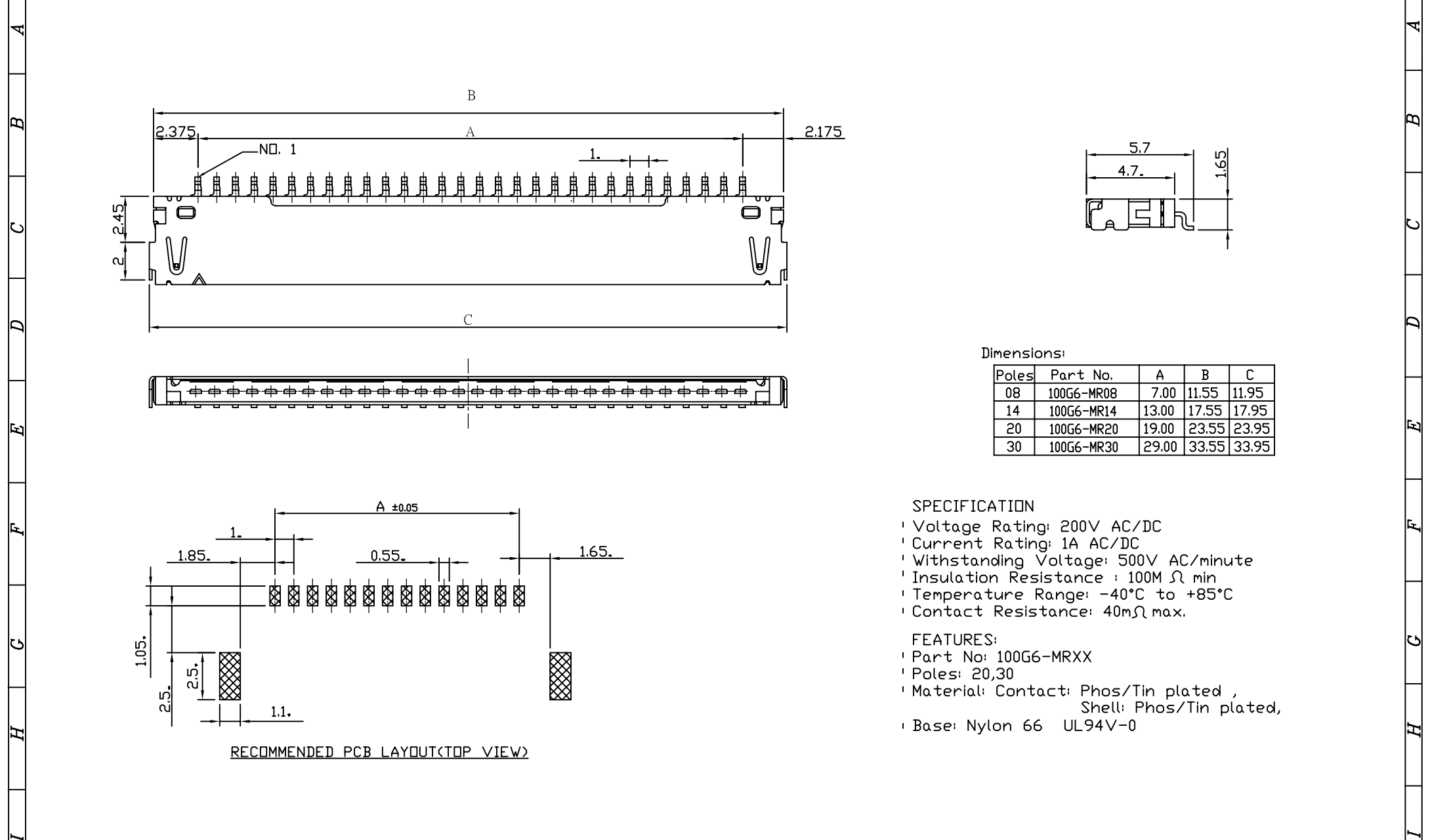


1 2 3 4 5 6 7 8 9 10 11 12 13 14



Dimensions:

Poles	Part No.	A	B	C
08	100G6-MR08	7.00	11.55	11.95
14	100G6-MR14	13.00	17.55	17.95
20	100G6-MR20	19.00	23.55	23.95
30	100G6-MR30	29.00	33.55	33.95

SPECIFICATION

- Voltage Rating: 200V AC/DC
- Current Rating: 1A AC/DC
- Withstanding Voltage: 500V AC/minute
- Insulation Resistance : 100M Ω min
- Temperature Range: -40°C to +85°C
- Contact Resistance: 40mΩ max.

FEATURES:

- Part No: 100G6-MRXX
- Poles: 20,30
- Material: Contact: Phos/Tin plated ,
Shell: Phos/Tin plated,
- Base: Nylon 66 UL94V-0

RECOMMENDED PCB LAYOUT(TOP VIEW)

Rev	Description/Date	Drawn By: Storm.li	Customer:	Third angle projection		Units: mm			
△		Checked By: Simmon	Part No.: 100G6-MRXX	General Dimension Tolerance			X.X ±0.25	X.XX ±0.1	X.XXX ±0.08
△		Approved By: Tony	Title: 1.0mm Pitch low profile						
SGS Report No.:									

1 2 3 4 5 6 7 8 9 10 11 12 13 14