

NOTES :

1. MATERIAL :  
 INSULATOR : HIGH TEMPERATURE THERMOPLASTIC , UL94V-0.  
 COLOR : BLACK  
 CONTACT : PHOSPHOR BRONZE.
2. APPLICATION : SD&HS SD&SDHC&MMC & MS&MS PRO&MagicGate MS&MS-ROM&MS I/O Expansion (It can protect the damage of MSDuo)
3. PLATING : CONTACT AREA :GOLD FLASH,10u" PLATED OVER Ni  
 SOLDER AREA : Tin PLATED OVER Ni

107R-A X 0 0-R  
 1 2 3

1.Type

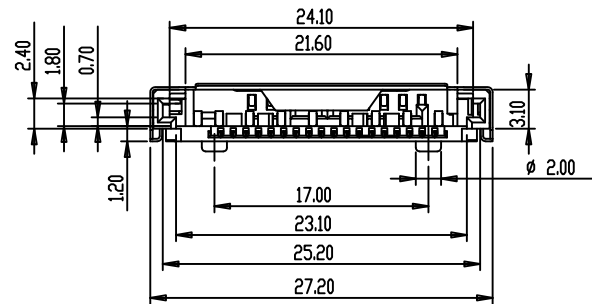
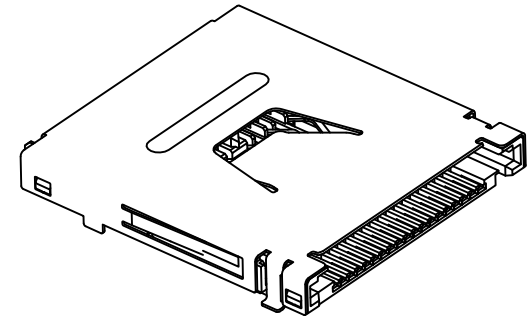
A:SD/MMC/MS

2.Contact Plating

A:Gold Flash

D:10u" Gold Plating

3.RoHS



UNLESS OTHERWISE SPECIFIED TOLERANCE		
ANGLES	ANG.	±5°
LINEAR	0.	±0.3
	0.0	±0.25
	0.00	±0.20
SCALE	AS SHOWN	UNIT: mm
DRAWN	Willis	2012/08/03
CHECKED	Angel	2012/08/03
APPROVED	Ken	2012/08/03



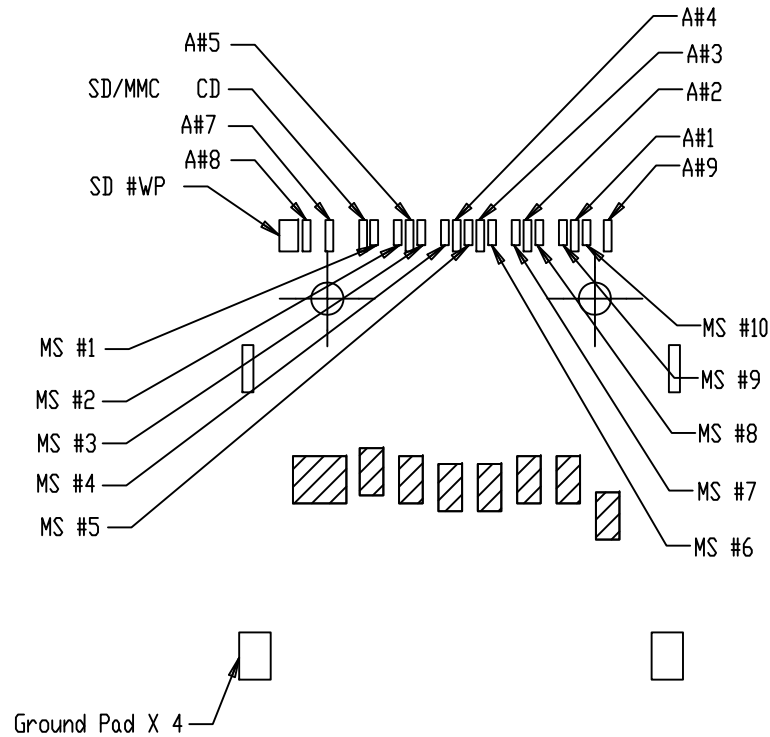
REV.	DESCRIPTION	DATE	REV.	DESCRIPTION	DATE
1			2		
3			4		

DRAWN NAME:  
Multi Card Socket  
SD/MMC/MS

PRODUCT NO. 107R-AX00-R

FILE NAME 107R-AX00-R\_B\_1

SIZE A4 REV. 1.0



PIN ASSIGNMENT:

PIN NO.	MEMORY CARD PIN NO.
A#1	SD/MMC-1 (DAT3)
A#2	SD/MMC-2 (CMD)
A#3	SD/MMC-3 (GND)
A#4	SD/MMC-4 (VCC)
A#5	SD/MMC-5 (CLK)
A#7	SD/MMC-7 (DAT0)
A#8	SD-8 (DAT1)
A#9	SD-9 (DAT2)
MS#1	VSS
MS#2	BS
MS#3	DAT1
MS#4	SDIO/DATA0
MS#5	DATA2
MS#6	INS
MS#7	DATA3
MS#8	SCLK
MS#9	VCC
MS#10	VSS

( SD/MMC : SD&HS SD&SDHC&MMC CARD )

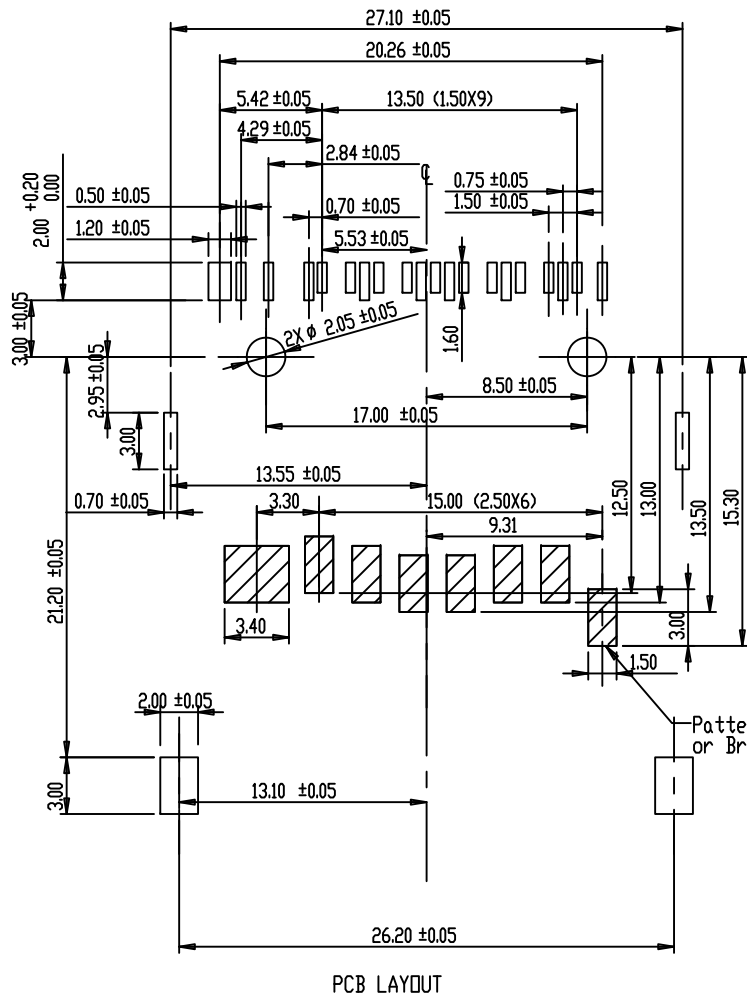
( MS : MS&MS PRO&MagicGate MS&MS-RO&MS I/O Expansion CARD )

UNLESS OTHERWISE SPECIFIED TOLERANCE		
ANGLES	ANG.	±5°
LINEAR		±0.3
		±0.25
		±0.20
SCALE	AS SHOWN	UNIT: mm
DRAWN	Willis	2012/08/03
CHECKED	Angel	2012/08/03
APPROVED	Ken	2012/08/03

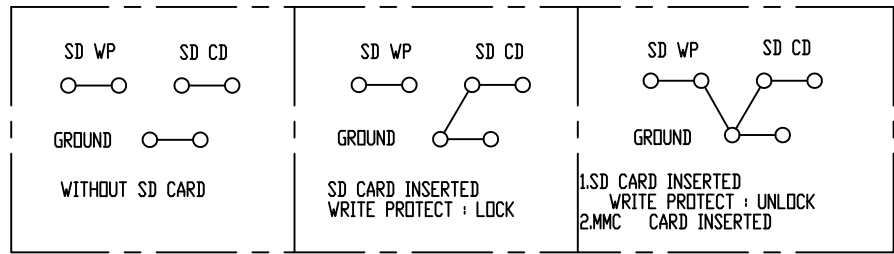


REV.	DESCRIPTION	DATE	REV.	DESCRIPTION	DATE	SIZE	REV.	FILE NAME
1			4			A4	1.0	107R-AX00-R_B_1

DRAWN NAME: Multi Card Socket SD/MMC/MS  
 PRODUCT NO. 107R-AX00-R



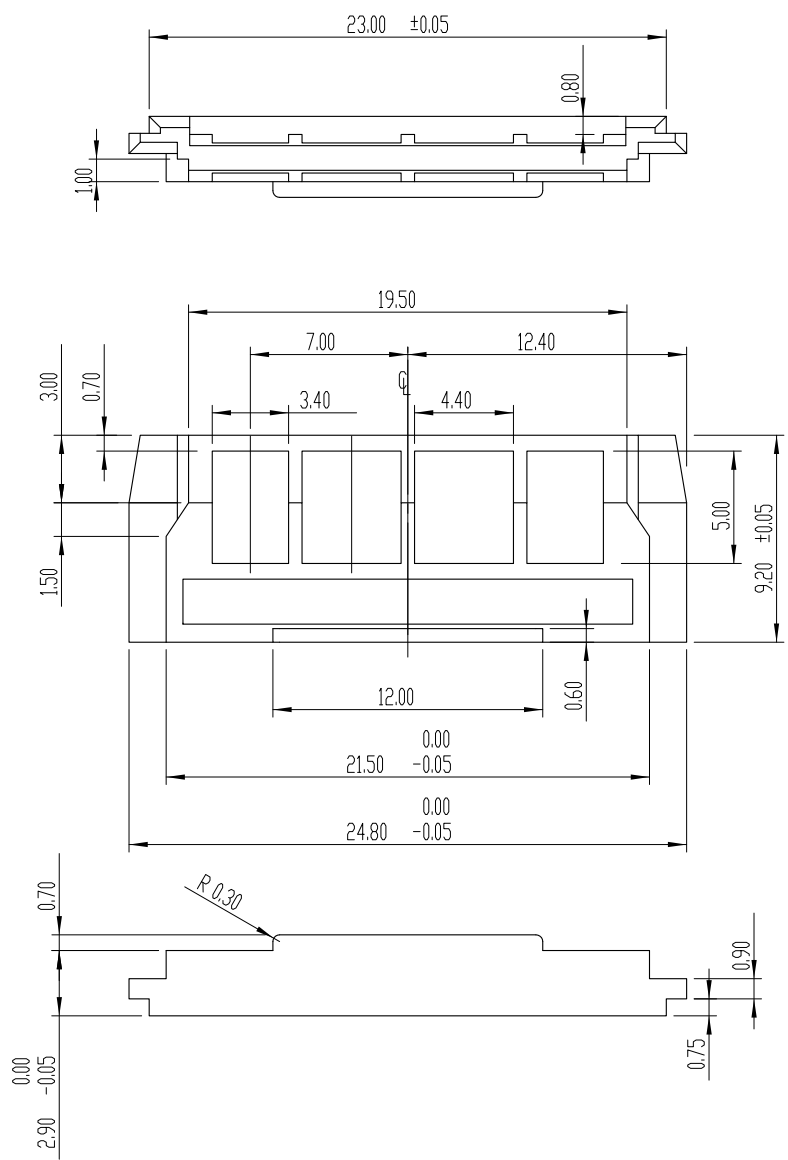
SD CIRCUIT :



PCB LAYOUT

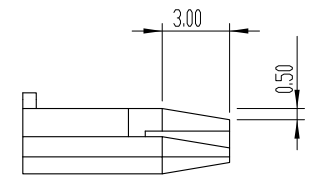
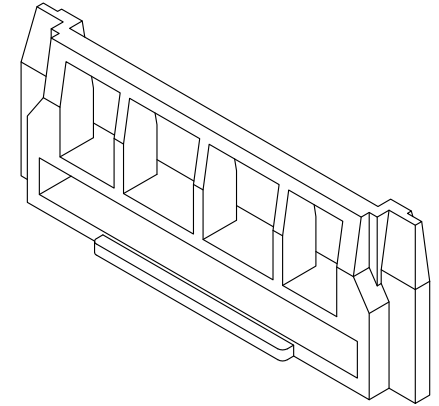
						UNLESS OTHERWISE SPECIFIED TOLERANCE				
						ANGLES	ANG.	±5°		
						LINEAR	0.	±0.3		
							0.00	±0.20		
						SCALE	AS SHOWN	UNIT: mm		
						DRAWN	Willis	2012/08/03	DRAWN NAME:	
						CHECKED	Angel	2012/08/03	Multi Card Socket SD/MMC/MS	
						APPROVED	Ken	2012/08/03	PRODUCT NO.	107R-AX00-R
REV.	DESCRIPTION	DATE	REV.	DESCRIPTION	DATE	SIZE	REV.	FILE NAME	107R-AX00-R_B_1	
1						A4	1.0			

△	Revise:								
△	Revise:								
△	Revise:								



NOTES:

1.MATERIAL: PA9T, UL94V-0,BLACK



REV.	DESCRIPTION	DATE	REV.	DESCRIPTION	DATE	SIZE	REV.	FILE NAME
1			4			A4	1.0	107R-XX00-R_B_2
			5					
			6					
			7					
			8					
			9					
			10					

UNLESS OTHERWISE SPECIFIED TOLERANCE			DRAWN NAME:	
ANGLES	ANG.	±5°	Multi Card Socket Fill	
LINEAR	0.	±0.3		
	0.0	±0.25		
	0.00	±0.20		
SCALE	AS SHOWN	UNIT: mm	PRODUCT NO. 107R-XX00-R	
DRAWN	Willis	2012/08/03	DRAWN NAME: Multi Card Socket Fill	
CHECKED	Angel	2012/08/03		
APPROVED	Ken	2012/08/03		

