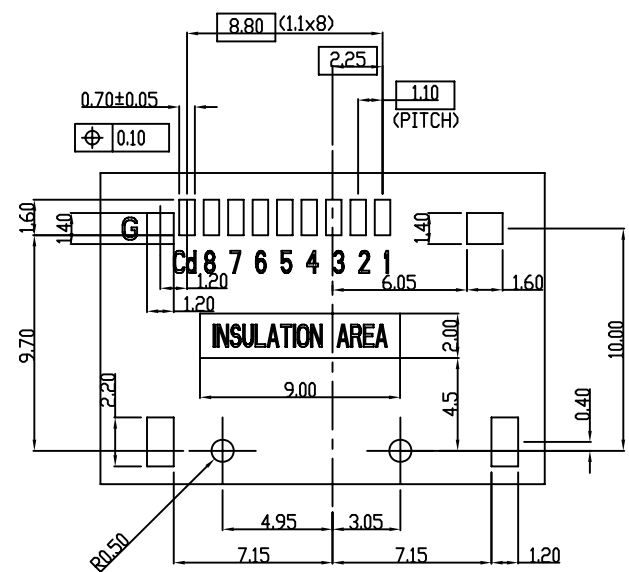
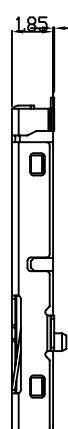
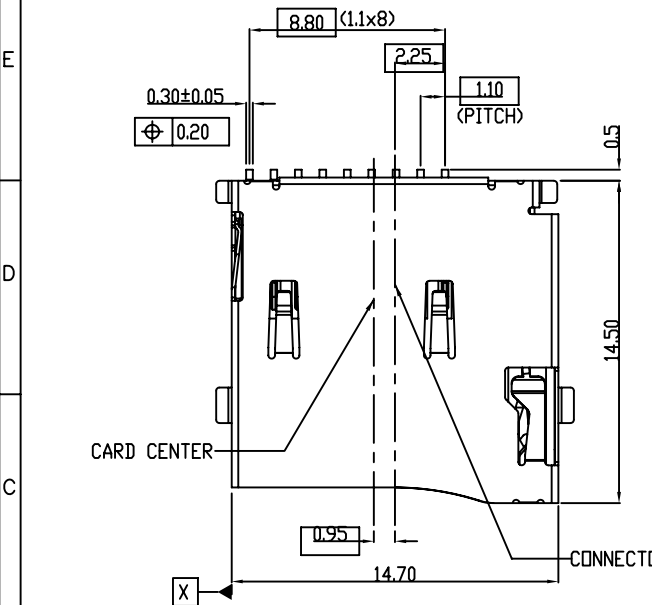


Material:
 Plastic Body : LCP+35%GF, Color Black.
 Slider : LCP+35%GF, Color Black.

Contact :Phosphor Bronze Alloy (C5210R-EH)
 Contacts Plating:Contact area: Gold 10 micro inches (Min.)
 Solder area: Gold flash
 All under-plated Ductile Nickel 50 micro inches (Min.)

Shell :SUS304R-3/4H
 Plating:
 Contact area: Gold flash
 Solder area: Gold flash
 All under-plated Ductile Nickel 12 micro inches (Min.)

Spring : Piano Wire
 Drag Link : SUS304



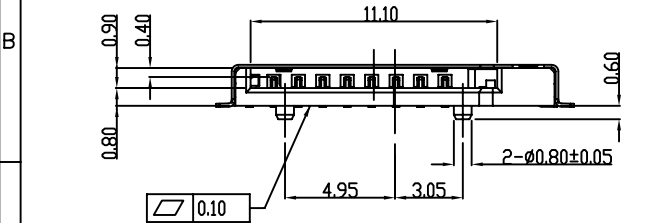
112J-T X A R-R
 1 2 3 4

1.Type 3.Stand Off
 T:Top Mount A:0mm

2.Contact Plating 4.RoHS
 A:Gold Flash
 D:10u" Gold Plating

PART NAME	Q'TY	MATERIAL
BODY	1	LCP+35%GF
SLIDER	1	LCP+35%GF
CONTACT	1	C5210R-EH
SHELL	1	SUS304R-3/4H
DRAG LINK	1	SUS304
SPRING	1	PIAND WIRE

PIN NUMBER	PIN ASSIGNMENT	PIN NUMBER	PIN ASSIGNMENT
1	DAT2	6	VSS
2	CD/DAT3	7	DAT0
3	CMD	8	DAT1
4	VDD	Cd	CARD DETECTION
5	CLK	G	GROUND



RECOMMEND PC BOARD LAYOUT

UNLESS OTHERWISE SPECIFIED TOLERANCE	
ANG.	±5°
0.	±
.0	±0.25
.00	±0.20
SCALE: AS SHOWN	UNIT: mm
DRAWN Willis	2009/03/16
CHECKED	/ /
APPROVED	/ /
SIZE A4	REV.

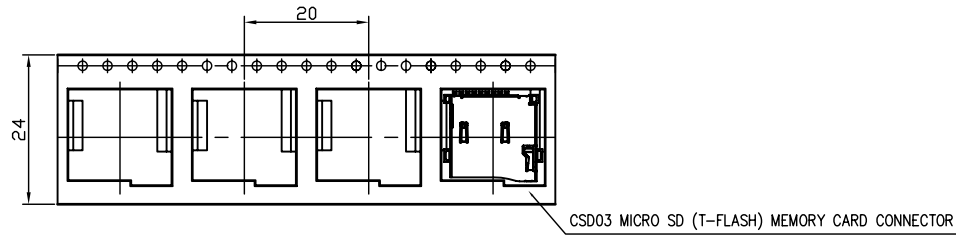
Attend
 ATTEND TECHNOLOGY INC.
 www.attend.com.tw

DRAWN NAME: Micro SD Socket
 Push-Push Type

PRODUCT NO. 112J-TXAR-R

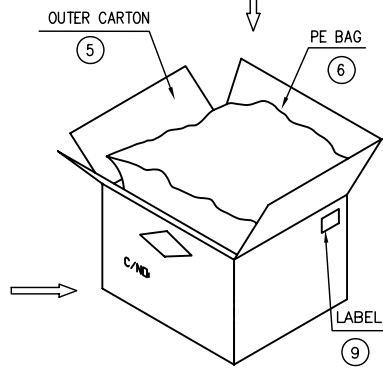
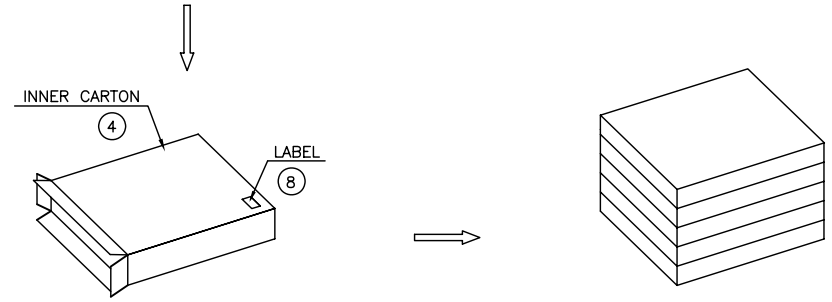
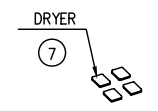
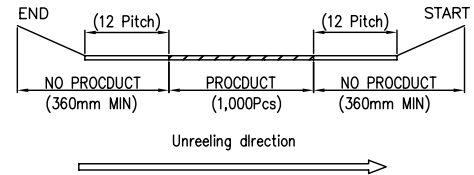
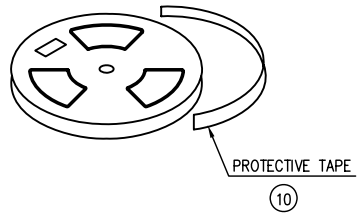
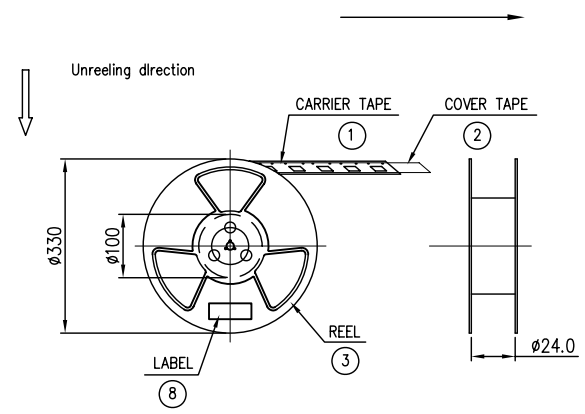
FILE NAME: 112J-TXAR-R_B_1

REV.	DESCRIPTION	DATE
1		
2		
3		
4		
5		
6		
7		



NOTES:

- PACKING STYLE 1,000 PCS/REEL
2 REEL/INNER CARTON
10,000 PCS/OUTER CARTON
- MATERIAL CARRIER TAPE: PS BLACK
COVER TAPE: PET FILM
REEL: PLASTIC
- PEEL STRENGTH OF COVER TAPE: 20-80g (PEEL SPEED 300mm/MINUTE).



10	PROTECTIVE TAPE	1	PCS	
9	LABEL	1	PCS	
8	LABEL	15	PCS	
7	DRYER	4	BAG	
6	PE BAG	1	PCS	L850*W750mm
5	OUTER CARTON	1	PCS	
4	INNER CARTON	5	PCS	
3	REEL	10	SET	Ø330*100mm,W=24mm
2	COVER TAPE	1,000	10	PCS W=21.5mm,20.8M
1	CARRIER TAPE			W=24mm,T=0.35mm,20.8M/REEL
NO PACKING NAME		PCS/T/T/BOX		UNIT
		PACKING QTY		NOTE

UNLESS OTHERWISE SPECIFIED TOLERANCE	
ANG.	±5
0.	±0.3
.0	±0.25
.00	±0.20

SCALE:	AS SHOWN	UNIT:	mm
DRAWN	Willis	DATE	2009/03/16
CHECKED	/ /		
APPROVED	/ /		

Attend
ATTEND TECHNOLOGY INC.
www.attend.com.tw

DRAWN NAME: Micro SD Socket
Push-Push Type

PRODUCT NO. 112J-TXAR-R

FILE NAME: 112J-TXAR-R_D_1

REV.	DESCRIPTION	DATE	SIZE	REV.
1			A4	