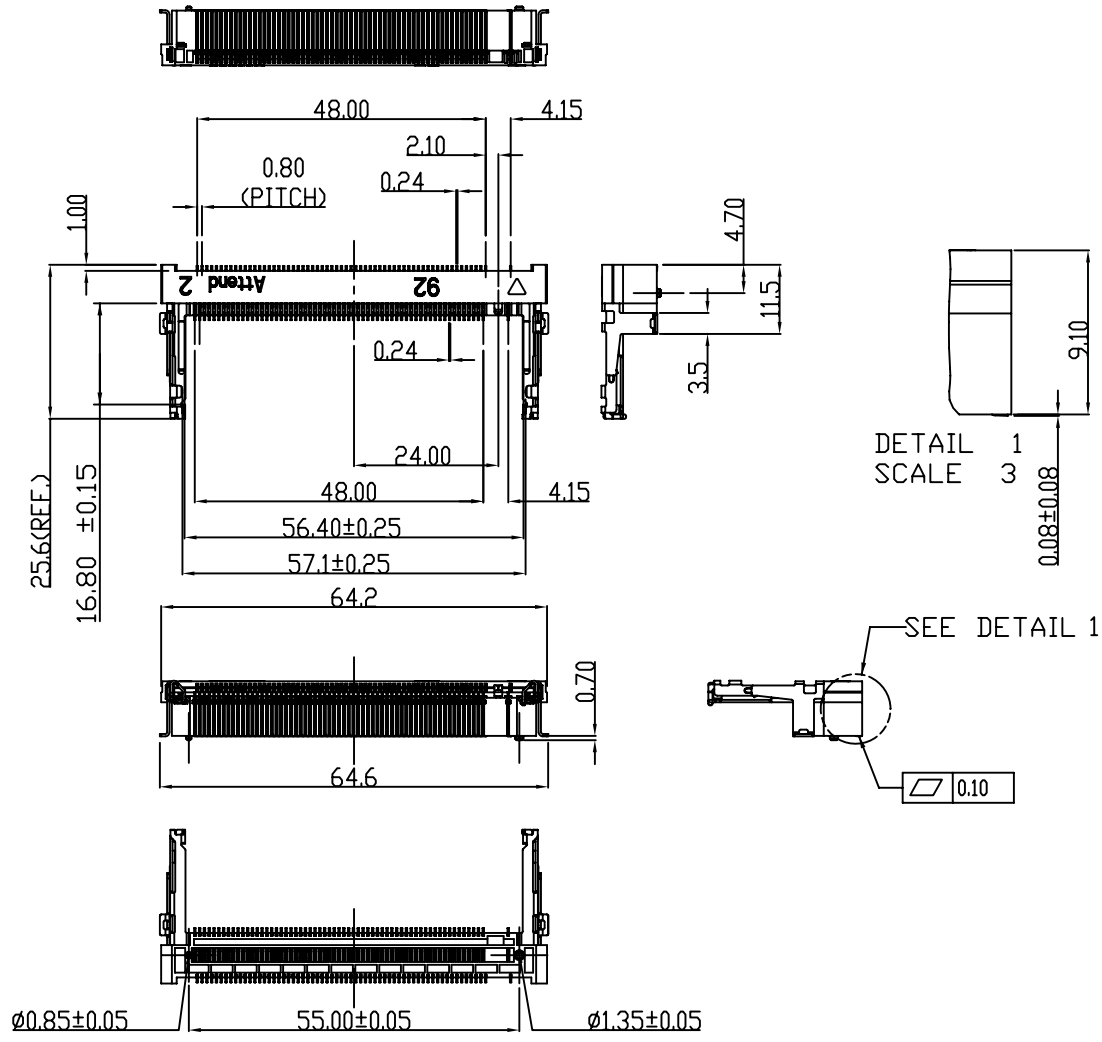


PRODUCT NO.	ITEM	PART NAME	Q'TY	MATERIAL	PLATING
114B-92B00-R02	1	BODY	1	LCP	
	3	CONTACT	124	PHOSPHOR BRONZE	GOLD 3u'
	4	LATCH	2	STAINLESS	

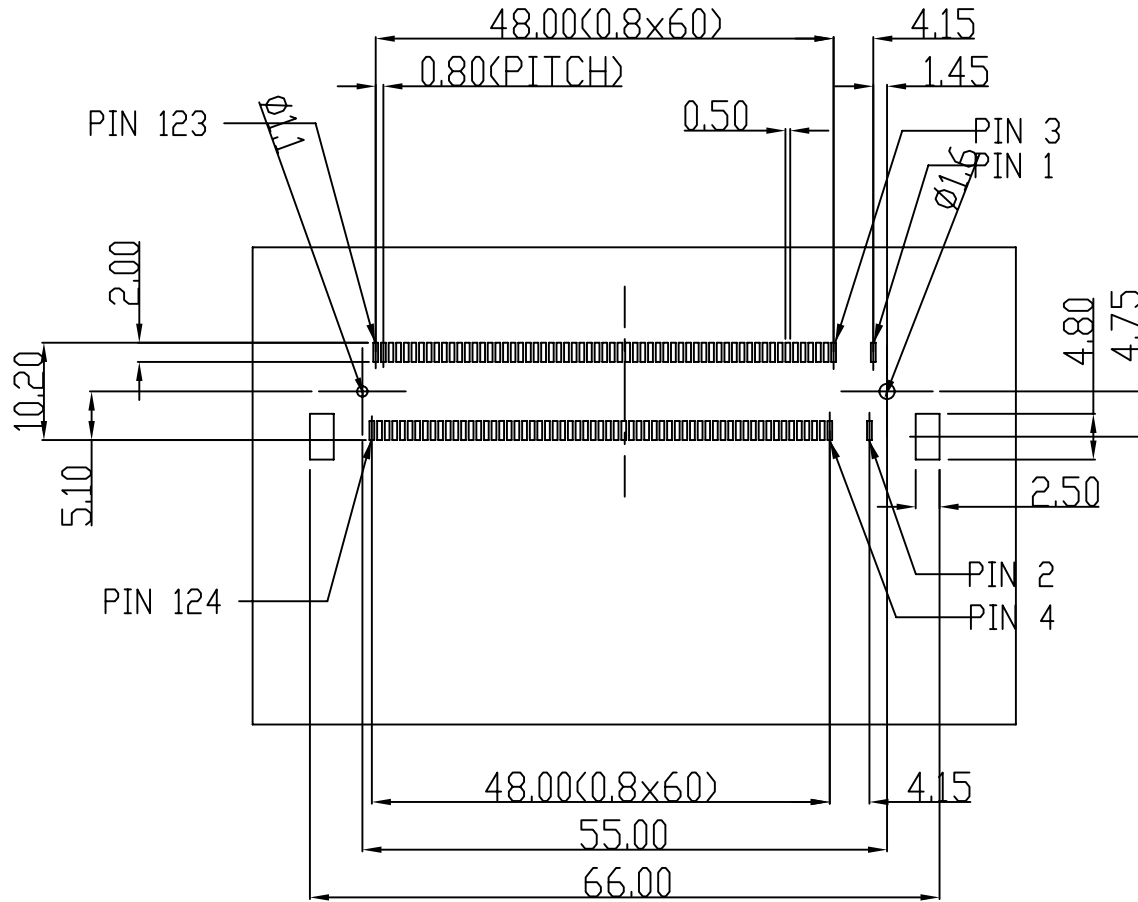


Plastic Body : LCP, Color Black.  
 Contact: Phosphor Bronze Alloy (C5191R-H)  
 Contact area: Gold 3 micro inches  
 Solder area: Matte Tin  
 All under-plated Ductile Nickel 50 micro inches (Min.)  
 Latch :SUS304R-1/2H, Matte Tin Plated  
 Contact Resistance: 30 mΩ (Max)  
 Insulation Resistance: 500 MΩ (Max.)  
 Dielectric Withstanding Voltage:  
 Mate connectors; apply 250V AC at 60 Hz(rms.)  
 Contact Normal Force: 50 gf per pin (Min.)  
 soldering heat: 260°C  
 Rating Voltage: 25V AC  
 Rating Current: 0.3A(Max.)/(1PIN)  
 Operating Temperature: -40°C to +90°C  
 Storage Temperature: -40°C to +90°C

114B-92 B 0 0-R02  
 1 2 3 4

- 1.Stand off  
s/o:9.2mm
- 2.Contact Plating  
B:3u' Gold Plating
- 3.Color  
0:Black
- 4.RoHS

		UNLESS OTHERWISE SPECIFIED TOLERANCE			
		ANG.	±5		
		0.	±0.3		
		.0	±0.25		
		.00	±0.20		
		SCALE:	AS SHOWN	UNIT:	mm
		DRAWN	Willis	2009/09/28	DRAWN NAME: Mini PCI Socket stand off 9.2mm, Metal grounding type
		CHECKED	Angel	2009/09/28	
		APPROVED	Ken	2009/09/28	PRODUCT NO. 114B-92B00-R02
		DATE		SIZE	REV.
				A4	FILE NAME: 114B-92B00-R02_B_2
REV.	DESCRIPTION	DATE	SIZE	REV.	FILE NAME:
1	Revise: Latch Matte Tin Plated	2009/09/28			
2	Revise: Layout Peg	2009/07/06			



RECOMMEND PC BOARD LAYOUT

UNLESS OTHERWISE SPECIFIED TOLERANCE

ANG.	±5
0.	±0.3
.0	±0.25
.00	±0.20

SCALE: AS SHOWN UNIT: mm

DRAWN Willis 2009/09/28

CHECKED Angel 2009/09/28

APPROVED Ken 2009/09/28

DRAWN NAME: Mini PCI Socket  
stand off 9.2mm, Metal grounding type

PRODUCT NO. 114B-92B00-R02

FILE NAME: 114B-92B00-R02\_B\_2

△	Revise: Latch Matte Tin Plated	2009/09/28
△	Revise: Layout Peg	2009/07/06

REV.	DESCRIPTION	DATE	SIZE	REV.
			A4	