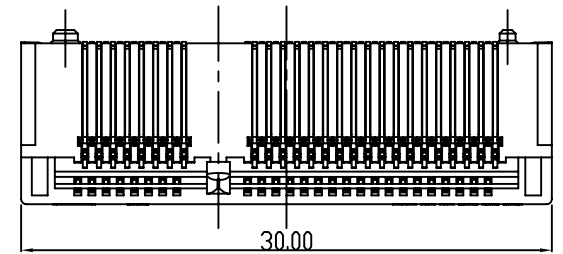
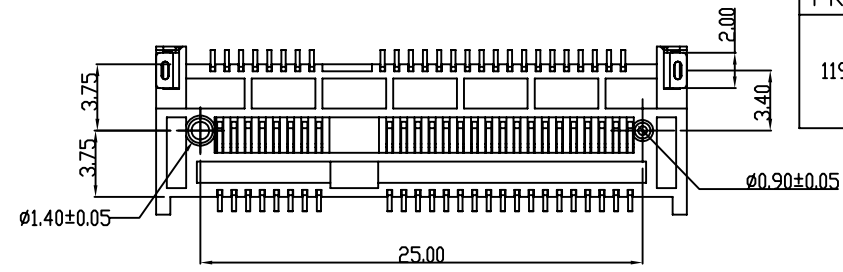


PRODUCT NO.	ITEM	PART NAME	Q'TY	MATERIAL	PLATING
119A-92A00-R02	1	BODY	1	LCP	
	2	CONTACT	52	PHOSPHOR BRONZE	GOLD 1u"
	3	HOLD DOWN	2	BRASS	TIN 100u"



DATE CODE: 0163 (YWW)
 Y: 0 YEAR(2010)
 WW:16 WEEK(01~52)
 D: 3 DAY(01~07)

Material
 Plastic Body : LCP, Color Black.
 Contact : Phosphor Bronze Alloy (C5191R-H)
 Contacts Plating: Contact area: Gold Plated
 Solder area: Tin
 Hold Down : Brass(C2680R-H)
 Hold Down Plating: Tin

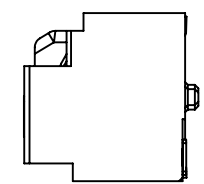
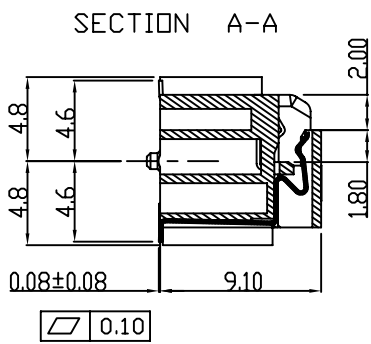
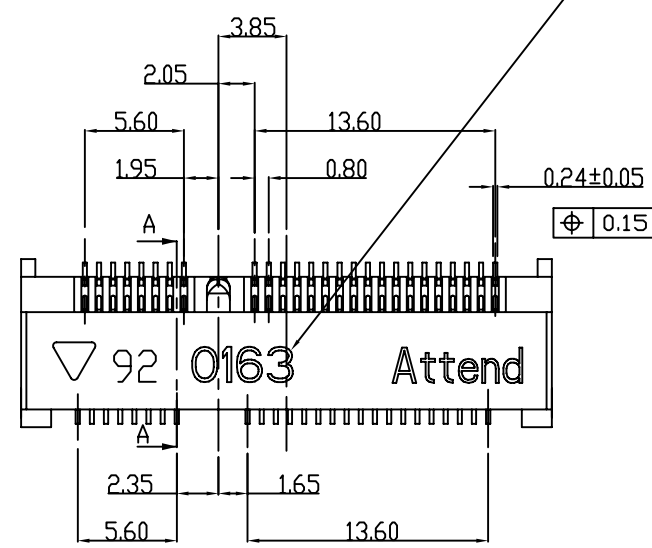
Electrical:
 Rating Current: 0.5A(Max.)/(1PIN)
 Rating Voltage: 50V AC
 Contact Resistance: 30 mΩ (Max)
 Insulation Resistance: 500 MΩ (Min.)

Mechanical:
 Contact Normal Force: 50 gf per pin (Min.)
 Durability: 100 mating and unmating cycles

Environmental:
 Operating Temperature: -40°C to +90°C
 Storage Temperature: -40°C to +90°C
 Solder ability: 260±5°C

PRODUCT NUMBER:
 119A-92 A 0 0-R02
 1 2 3 4

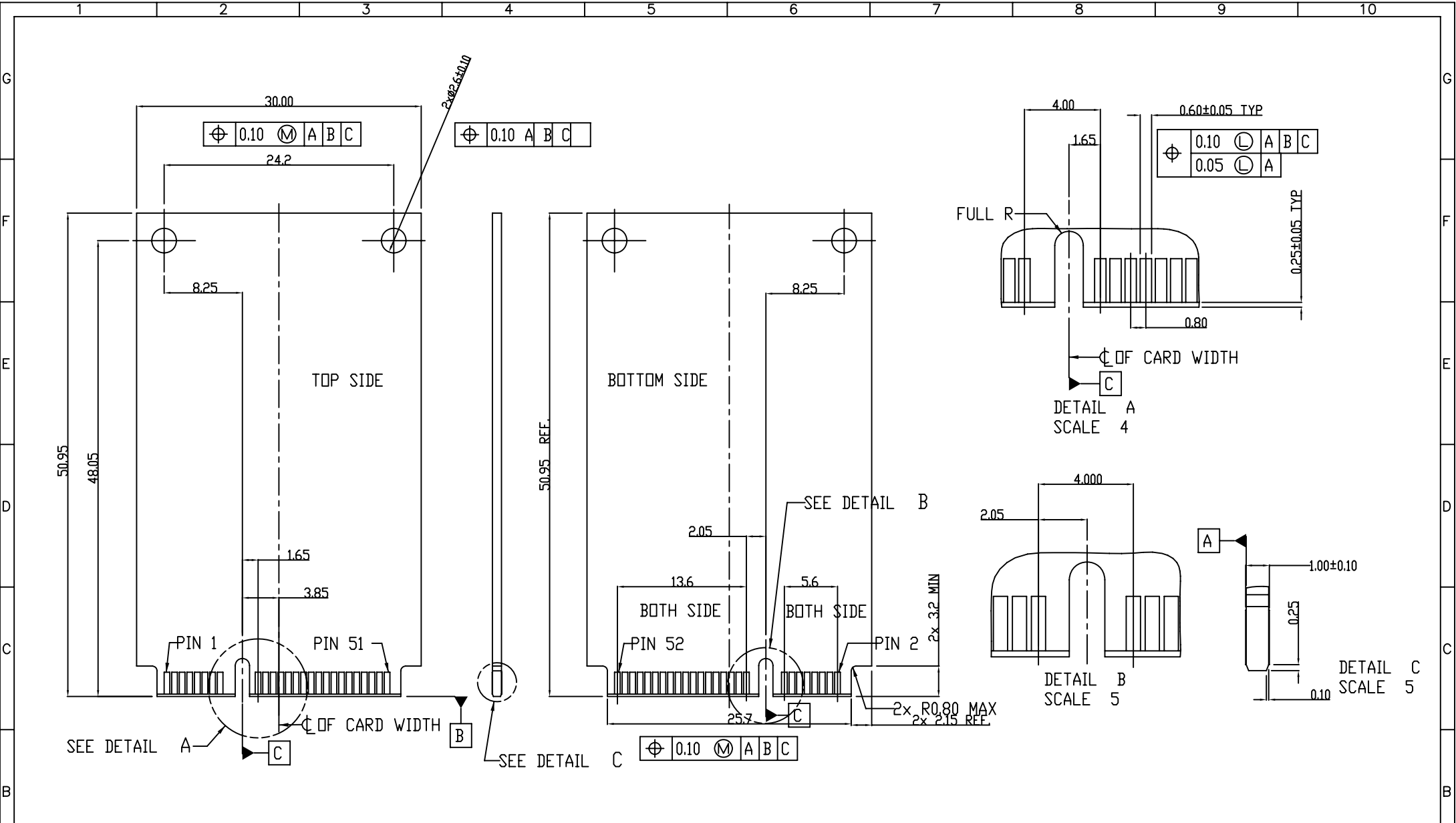
- Stand off
92: 9.2mm
- Contact plating
A: gold flash
- Color
0: black
- RoHS



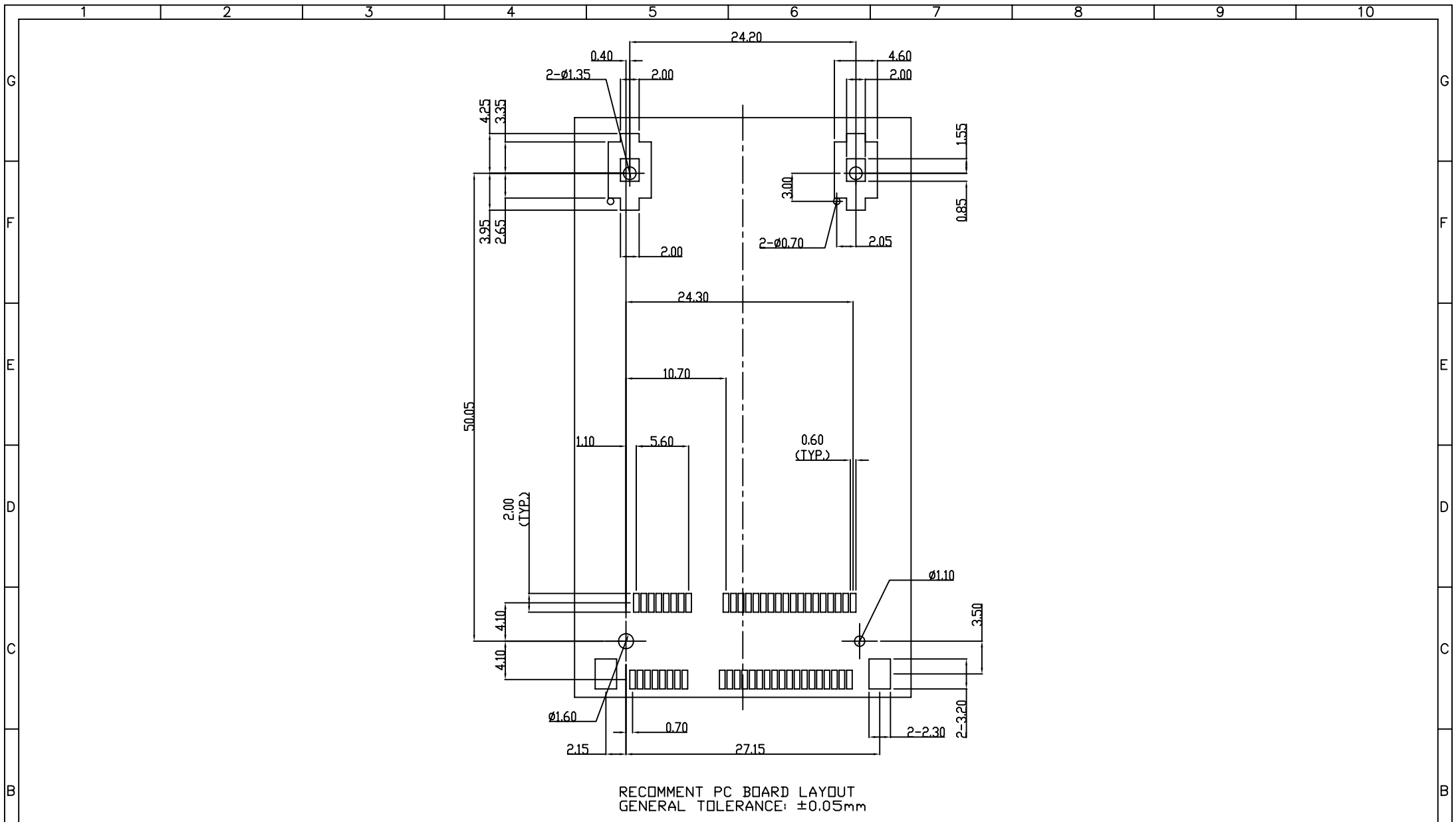
UNLESS OTHERWISE SPECIFIED TOLERANCE			
ANG.	±5		
0.	±0.3		
.0	±0.25		
.00	±0.20		
SCALE:	AS SHOWN	UNIT:	mm
DRAWN	Willis	2010/04/30	DRAWN NAME:
CHECKED	Angel	2010/04/30	MINI PCI EXPRESS CONNECTOR H=9.2mm
APPROVED	Ken	2010/04/30	PRODUCT NO. 119A-92A00-R02
REV.		SIZE A4	FILE NAME: 119A-92A00-R02_B_2

REV.	DESCRIPTION	DATE
1		
2		
3		
4		
5		
6		
7		

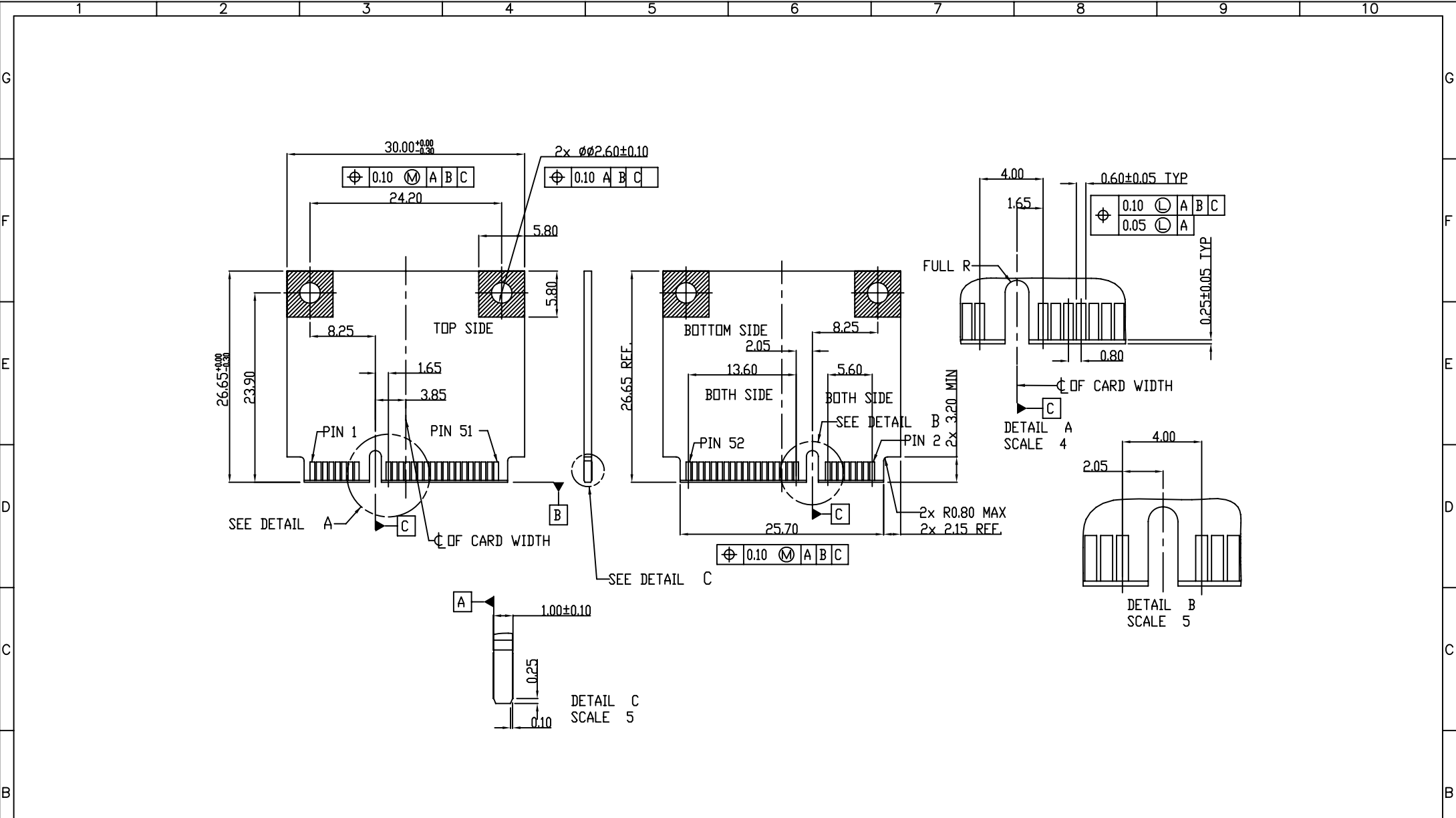
△ Revise: Date Code



						UNLESS OTHERWISE SPECIFIED TOLERANCE				
						ANG. ±5				
						0. ±0.3				
						.0 ±0.25				
						.00 ±0.20				
						SCALE: AS SHOWN	UNIT: mm			
						DRAWN Willis	2010/04/30	DRAWN NAME:		
						CHECKED Angel	2010/04/30	MINI PCI EXPRESS CONNECTOR H=9.2mm		
						APPROVED Ken	2010/04/30	PRODUCT NO. 119A-92A00-R02		
△ Revise: Date Code						2010/04/30		FILE NAME: 119A-92A00-R02_B_2		
REV.	DESCRIPTION					DATE	SIZE A4	REV.		
1	2	3	4	5	6	7	8	9	10	



						UNLESS OTHERWISE SPECIFIED TOLERANCE				
						ANG. ±5°				
						0. ±0.3				
						.0 ±0.25				
						.00 ±0.20				
						SCALE: AS SHOWN	UNIT: mm			
						DRAWN Willis	2010/04/30	DRAWN NAME:		
						CHECKED Angel	2010/04/30	MINI PCI EXPRESS CONNECTOR H=9.2mm		
△ Revise: Date Code						2010/04/30	APPROVED Ken	2010/04/30	PRODUCT NO. 119A-92A00-R02	
REV.	DESCRIPTION					DATE		SIZE A4	REV.	FILE NAME: 119A-92A00-R02_B_2
1	2	3	4	5	6	7	8	9	10	



UNLESS OTHERWISE SPECIFIED TOLERANCE	
ANG.	±5
0.	±0.3
.0	±0.25
.00	±0.20

SCALE: AS SHOWN UNIT: mm

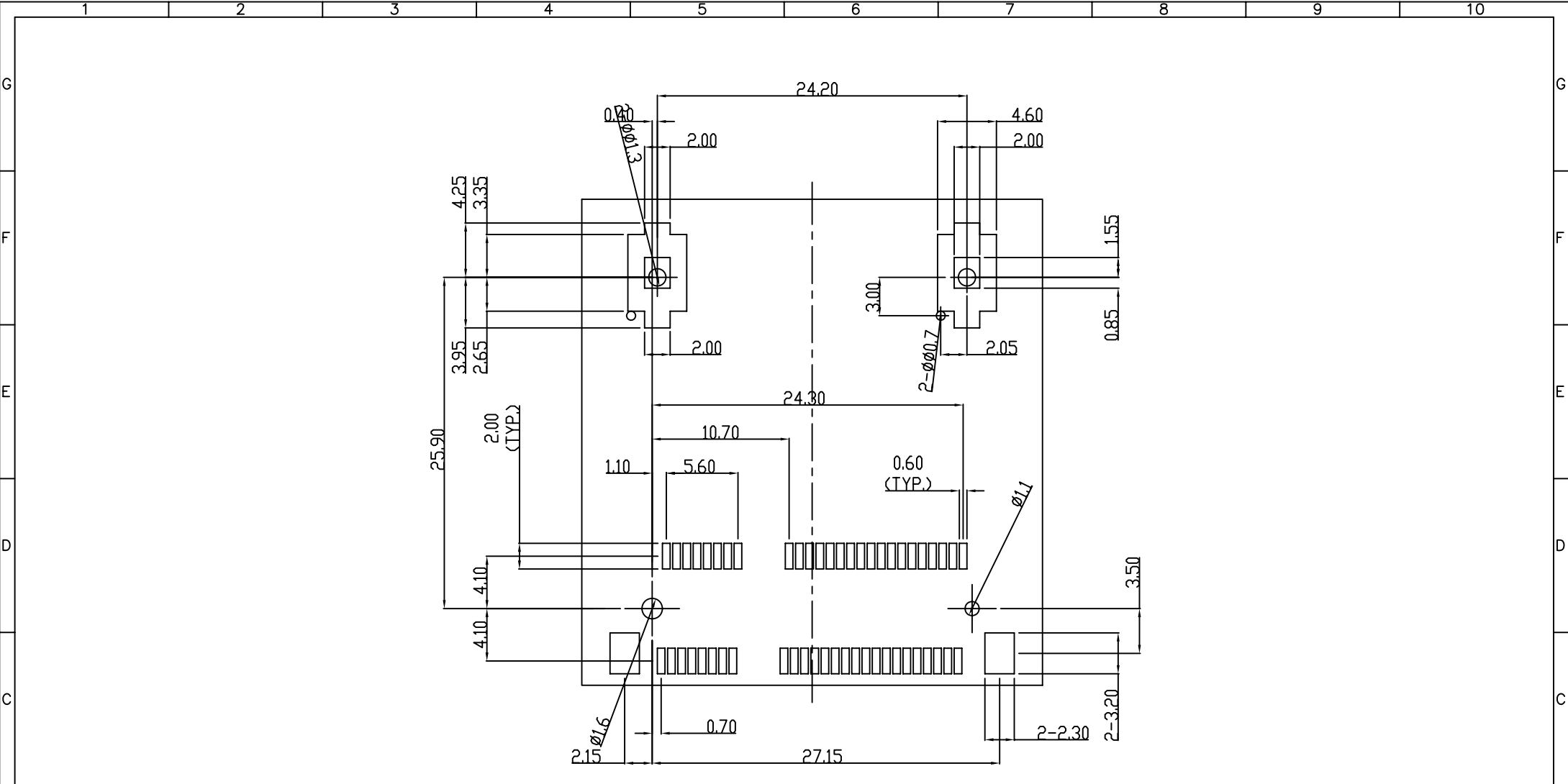
DRAWN Willis 2010/04/30
 CHECKED Angel 2010/04/30

APPROVED Ken 2010/04/30

DRAWN NAME:
 MINI PCI EXPRESS CONNECTOR H=9.2mm
 PRODUCT NO. 119A-92A00-R02
 FILE NAME: 119A-92A00-R02_B_2

△ Revise: Date Code

REV.	DESCRIPTION	DATE	SIZE	REV.
1		2010/04/30	A4	



RECOMMEND PC BOARD LAYOUT
 GENERAL TOLERANCE: ±0.05mm

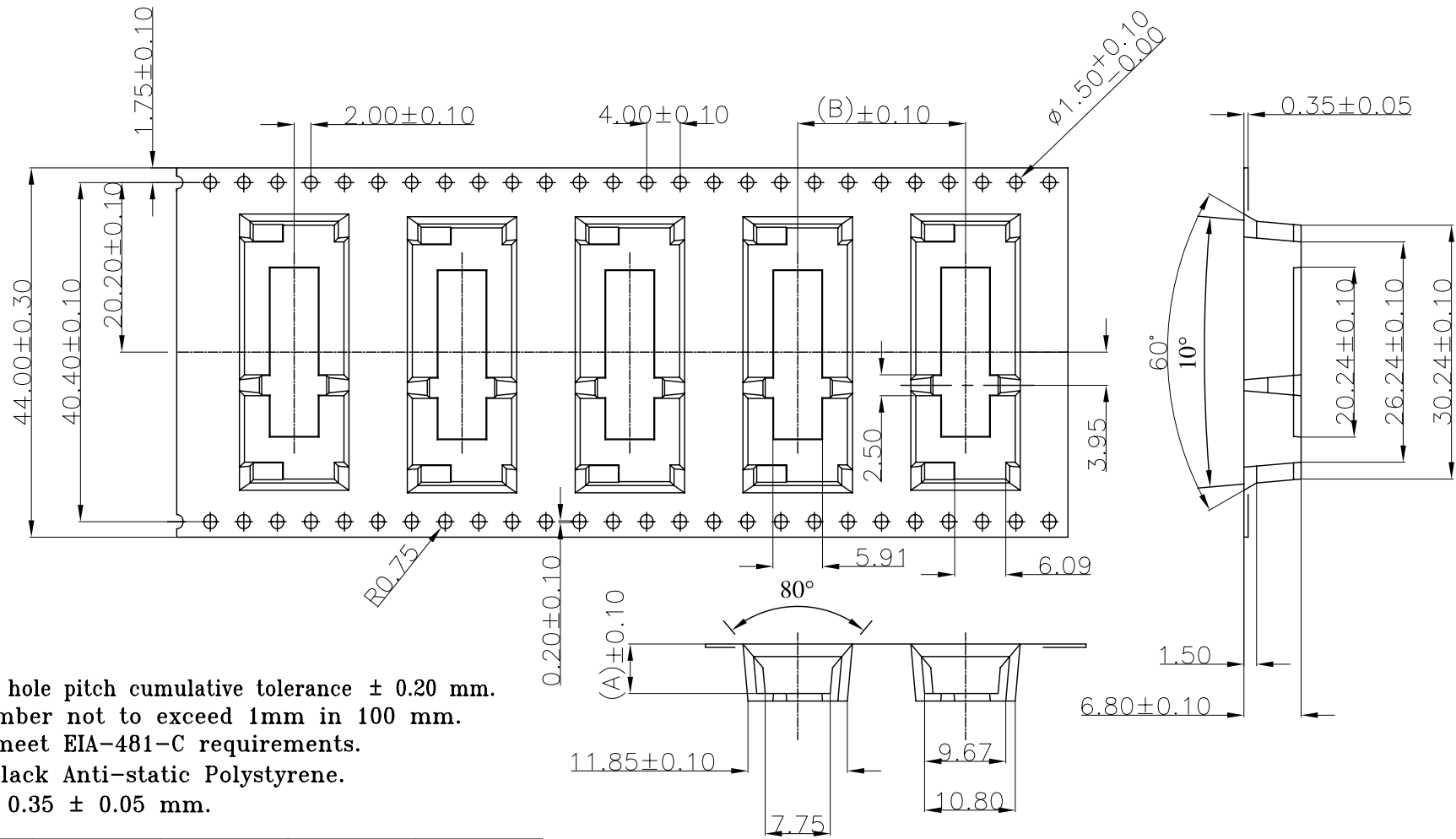
UNLESS OTHERWISE SPECIFIED TOLERANCE	
ANG.	±5
0.	±0.3
.0	±0.25
.00	±0.20
SCALE:	AS SHOWN
UNIT:	mm

DRAWN	Willis	2010/04/30
CHECKED	Angel	2010/04/30
APPROVED	Ken	2010/04/30

DRAWN NAME:	
MINI PCI EXPRESS CONNECTOR H=9.2mm	
PRODUCT NO.	119A-92A00-R02
FILE NAME:	119A-92A00-R02_B_2

△ Revise: Date Code

REV.	DESCRIPTION	DATE	SIZE	REV.
1		2010/04/30	A4	

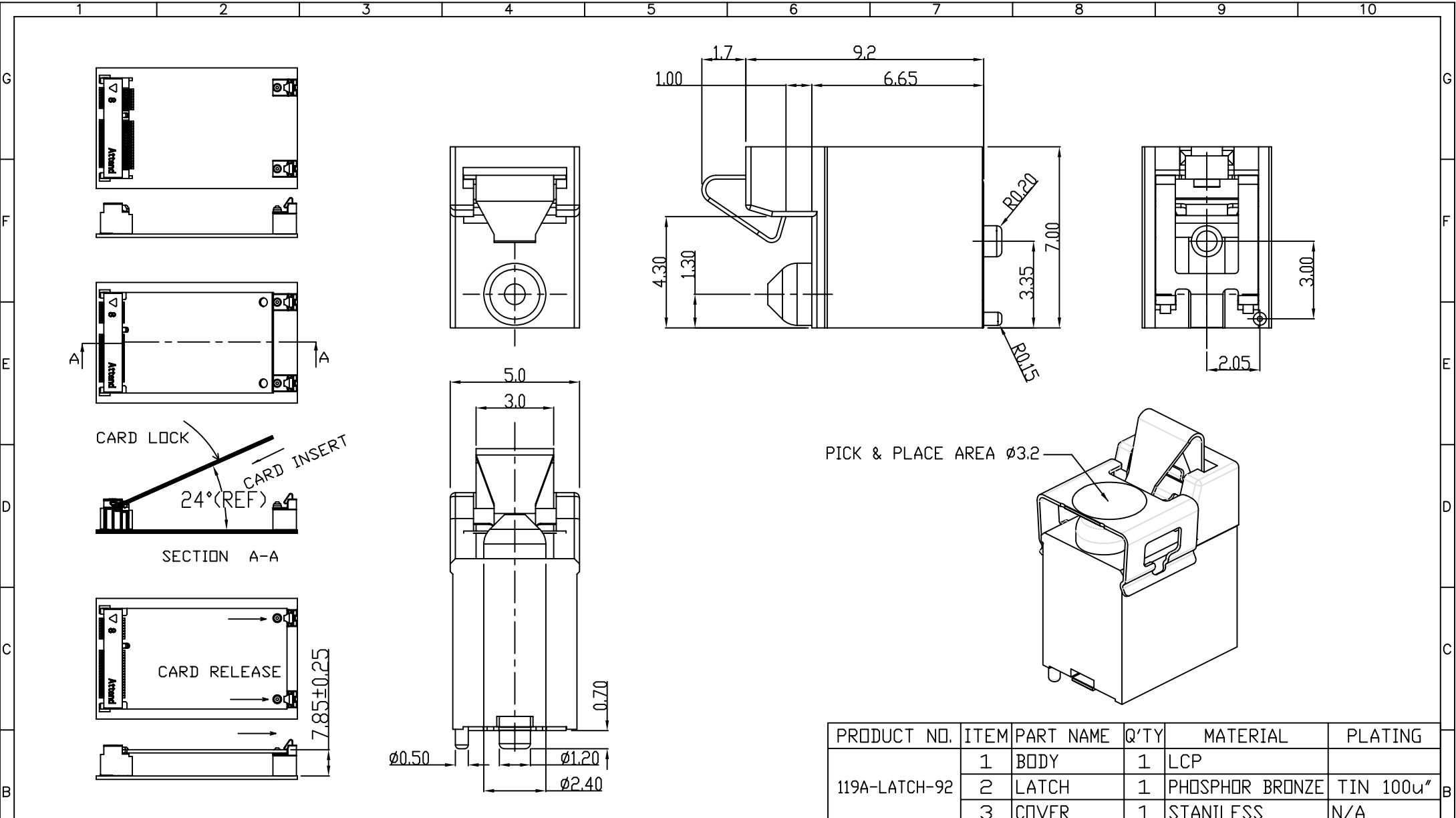


NOTES:

1. 10 sprocket hole pitch cumulative tolerance ± 0.20 mm.
2. Carrier camber not to exceed 1mm in 100 mm.
3. All scope meet EIA-481-C requirements.
4. Material: Black Anti-static Polystyrene.
5. Thickness: 0.35 ± 0.05 mm.

DIM.	119A-40A00-R02	119A-52A00-R02	119A-56A00-R02	119A-80A00-R02	119A-92A00-R02
A	4.30	5.50	5.90	8.30	9.50
B	16.00	16.00	16.00	16.00	20.00

				UNLESS OTHERWISE SPECIFIED TOLERANCE			
				ANG. $\pm 5^\circ$			
				0. ± 0.3			
				.0 ± 0.25			
				.00 ± 0.20			
				SCALE: AS SHOWN	UNIT: mm		
				DRAWN Willis	2010/04/30	DRAWN NAME: MINI PCI EXPRESS CONNECTOR	
				CHECKED Angel	2010/04/30		
				APPROVED Ken	2010/04/30	PRODUCT NO. 119A-XXA00-R02	
REV.	DESCRIPTION			DATE	SIZE A4	REV.	FILE NAME: 119A-XXA00-R02_D_3



PRODUCT NO.	ITEM	PART NAME	Q'TY	MATERIAL	PLATING
119A-LATCH-92	1	BODY	1	LCP	
	2	LATCH	1	PHOSPHOR BRONZE	TIN 100u"
	3	COVER	1	STAINLESS	N/A

UNLESS OTHERWISE SPECIFIED TOLERANCE
 ANG. ±5°
 0. ±0.3
 .0 ±0.25
 .00 ±0.20

SCALE: AS SHOWN UNIT: mm

DRAWN Willis 2010/01/21

CHECKED Angel 2010/01/21

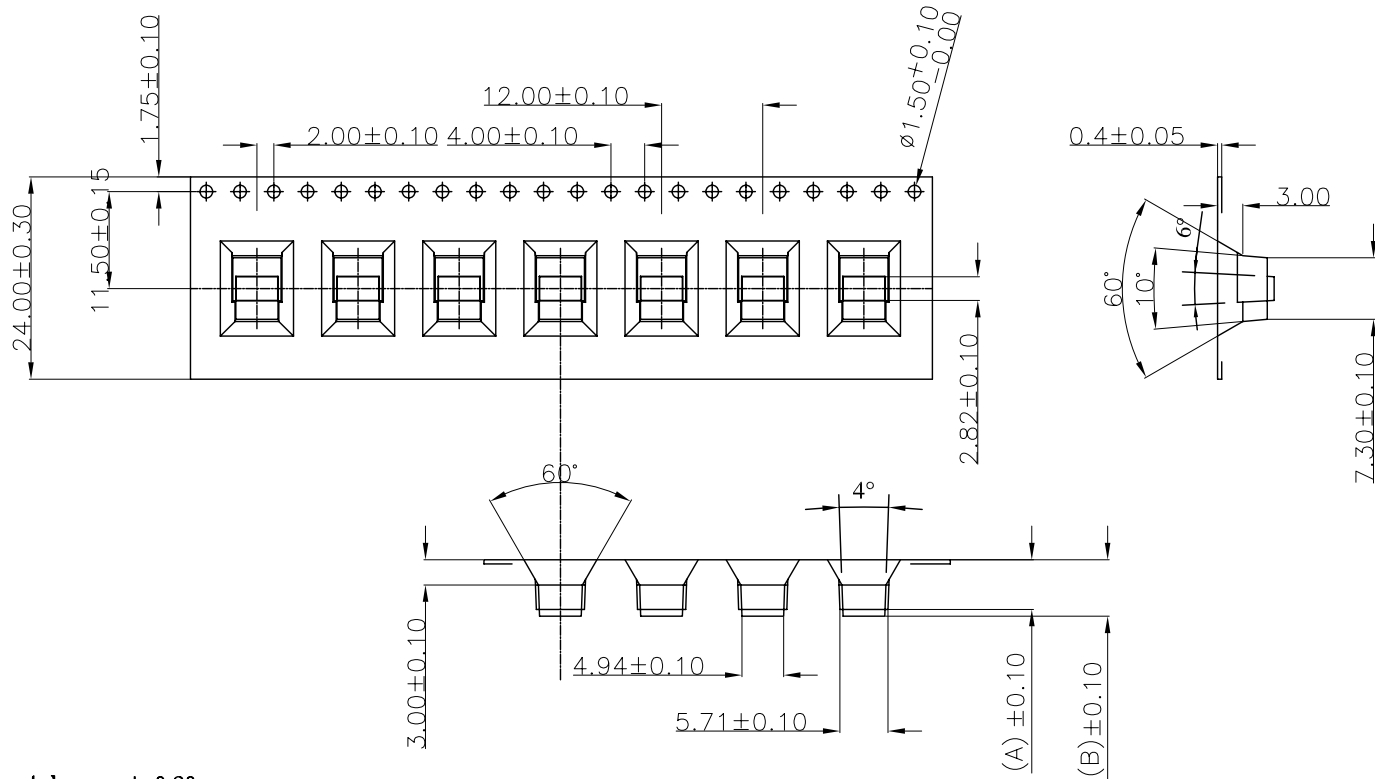
APPROVED Ken 2010/01/21

DRAWN NAME: MINI PCI EXPRESS LATCH H=9.2mm

PRODUCT NO. 119A-LATCH-92

FILE NAME: 119A-LATCH-92_B_1

REV.	DESCRIPTION	DATE	SIZE	REV.
1			A4	



NOTES:

- 1.10 sprocket hole pitch cumulative tolerance ± 0.20 mm.
2. Carrier camber not to exceed 1mm in 100 mm.
3. All scope meet EIA-481-C requirements.
4. Material: Black Anti-static Polystyrene.
5. Thickness: 0.40 ± 0.05 mm.

DIM.	119A-LATCH-40	119A-LATCH-52	119A-LATCH-56	119A-LATCH-80	119A-LATCH-92
A	5.90	7.10	7.50	9.90	11.10
B	6.70	7.90	8.30	10.70	11.90

UNLESS OTHERWISE SPECIFIED TOLERANCE					
ANG.	$\pm 5^\circ$				
0.	± 0.3				
.0	± 0.25				
.00	± 0.20				
SCALE:	AS SHOWN	UNIT:	mm		
DRAWN	Willis	2009/11/11	DRAWN NAME: MINI PCI EXPRESS LATCH		
CHECKED	Angel	2009/11/11	PRODUCT NO. 119A-LATCH-XX		
APPROVED	Ken	2009/11/11	FILE NAME: 119A-LATCH-XX_D_1		
REV.		DESCRIPTION	DATE	SIZE	A4