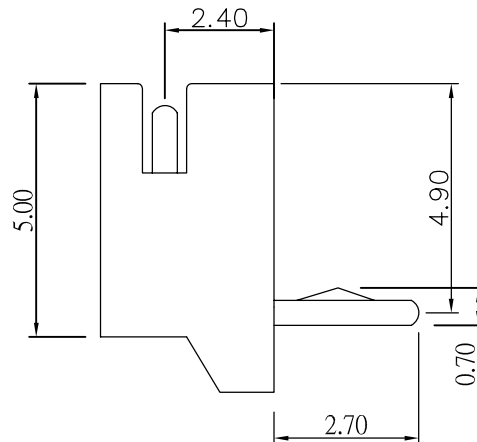
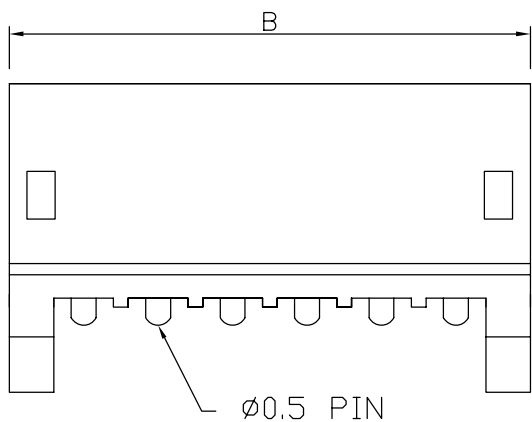


P.C.Board layout

SPECIFICATIONS

Current rating : 1A AC,DC
 Voltage rating : 100V AC,DC
 Temperature range : -25°C to +85 °C
 Contact resistance : 20m Ω Max.
 Insulation resistance : 500M Ω Min.
 Withstanding voltage : 500V AC/minute
 Material : Pin-Brass/Tin-plated
 Base-Nylon 66, UL94V-0



Ordering Information & Dimensions

Poles	Part No.	Dimension (mm)	
		A	B
2	150G1-R02K	1.5	4.5
3	150G1-R03K	3.0	6.0
4	150G1-R04K	4.5	7.5
5	150G1-R05K	6.0	9.0
6	150G1-R06K	7.5	10.5
7	150G1-R07K	9.0	12.0
8	150G1-R08K	10.5	13.5
9	150G1-R09K	12.0	15.0
10	150G1-R10K	13.5	16.5
11	150G1-R11K	15.0	18.0
12	150G1-R12K	16.5	19.5
13	150G1-R13K	18.0	21.0

Rev	Description/Date	Drawn By: Storm.li
△		Checked By: Simmon
△		Approved By: Tony

Customer:	
Part No.:	150G1-RXXK
Title:	1.50mm Wire to Board DIP 90° Type

Third angle projection		X \pm .X \pm 0.30 .XX \pm 0.20 .XXX \pm 0.10
General Dimension Tolerance	Units: mm	

SGS Report No.:CE/2005/53726D