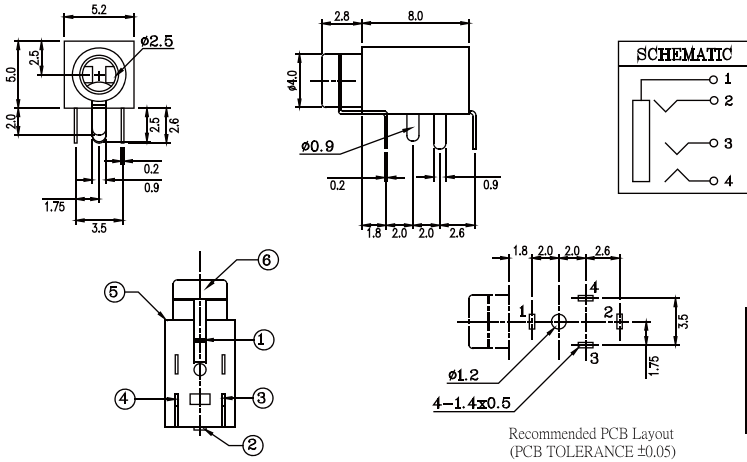
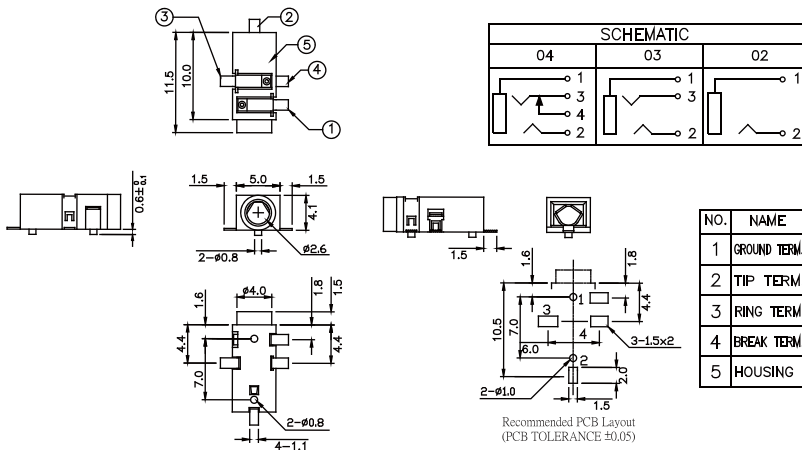
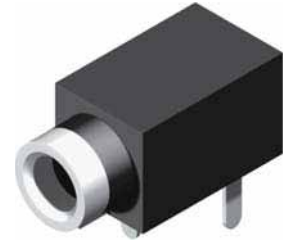


# Ø2.5 Earphone Jack Conn.



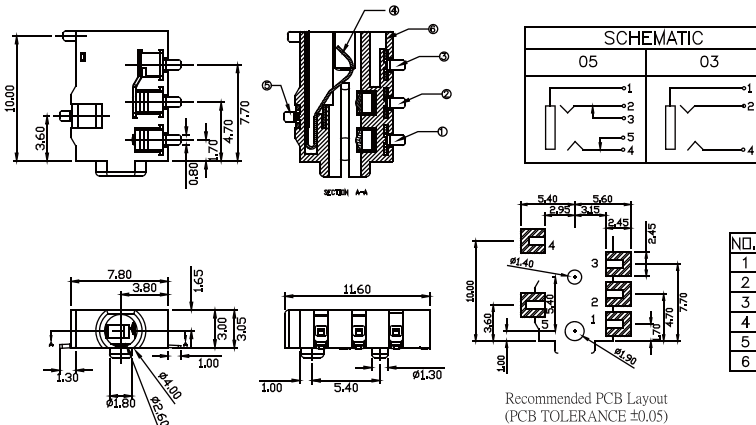
NO.	NAME	MATERIAL	FINISH	Q'TY
1	GROUND TERM	BRASS t:0.2	TIN PLATED	1
2	SPRING TERM	PHOS. BRONZE t:0.2	TIN PLATED	1
3	SPRING CONTACT	PHOS. BRONZE t:0.2	TIN PLATED	1
4	SPRING CONTACT	PHOS. BRONZE t:0.2	TIN PLATED	1
5	HOUSING	P.B.T.	BLACK	1
6	PLUG BUSHING	BRASS	NICKEL PLATED	1

Part No.:EPJ25-0009-04TB-L



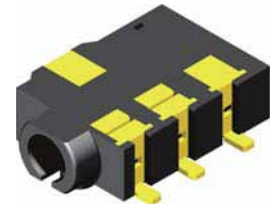
NO.	NAME	MATERIAL	FINISH	Q'TY
1	GROUND TERM.	P.B.S. 0.2THK	GOLD PLATED	1
2	TIP TERM.	P.B.S. 0.2THK	GOLD PLATED	1
3	RING TERM.	P.B.S. 0.2THK	GOLD PLATED	1
4	BREAK TERM.	PHOS.BRONZE 0.2THK	GOLD PLATED	1
5	HOUSING	NYLON PA9T G.F.	GRAY COLOR	1

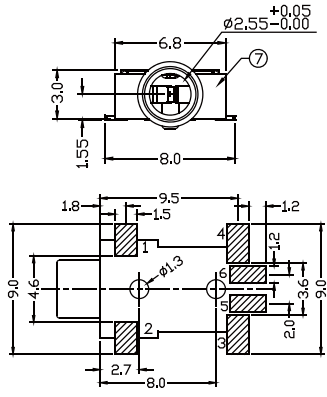
Part No.:EPJ25-2501G-GB-U  
No. of Contacts(02,03,04)-



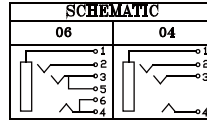
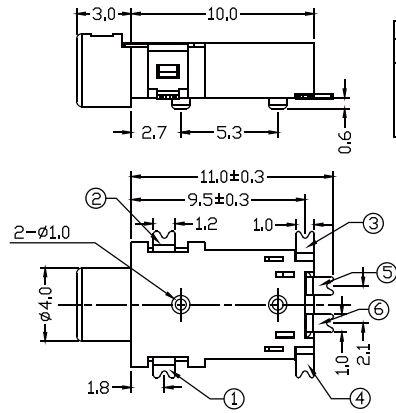
NO.	NAME	MATERIAL	FINISH
1	GROUND PIN 1	PBS T:0.2 mm	GOLD PLATED
2	PIN 2	BRASS T:0.2 mm	GOLD PLATED
3	PIN 3	PBS T:0.2 mm	GOLD PLATED
4	PIN 4	PBS T:0.2 mm	GOLD PLATED
5	PIN 5	BRASS T:0.3mm	GOLD PLATED
6	HOUSING	NYLON PA9T G.F	BLACK

Part No.:EPJ25-2504-GB-U  
No. of Contacts(03,05)-





Recommended PCB Layout  
(PCB TOLERANCE ±0.05)



TABLE

MODEL NO.	EPJ25-2513-06X-L (COLOR)					
	PK	B	V	Y	DR	LU
HOUSING & COVER COLOR	PINK	BLACK	LIME	YELLOW	ORANGE	LIGHT BLUE
PANTONE	701C		577C	123C	157C	284C

NO.	NAME	MATERIAL	FINISH	QTY
1	GROUND TERM.	PBS T=0.20	SILVER PLATED	1
2	CONTACT TERM.	PBS T=0.20	SILVER PLATED	1
3	SPRING TERM.	PHOS. BRONZE T=0.20	SILVER PLATED	1
4	SPRING TERM.	PHOS. BRONZE T=0.20	SILVER PLATED	1
5	CONTACT TERM.	BRASS T=0.25	SILVER PLATED	1
6	CONTACT TERM.	BRASS T=0.25	SILVER PLATED	1
7	HOUSING	NYLON PA9T G.F.	SEE COLOR	1

Part No.: EPJ25-2513-  SV  -U  
 No. of Contacts(04,06)    
 See Table