

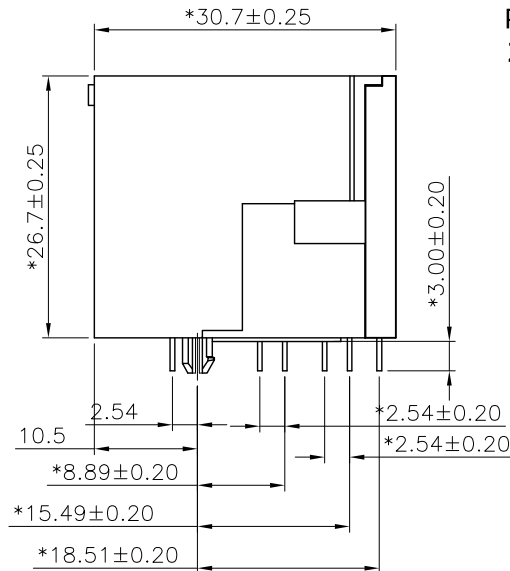
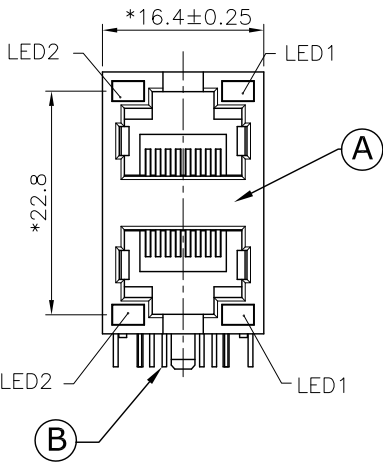
SWITCH CIRCUIT

MATERIAL AND FINISH AS BELOW

WHEN CARD IS EJECTED

WHEN CARD IS INSERTED

A	Housing	PA66 UL94V-0 Black	E		
B	Contact	Phosphor Bronze C5191, 5u" Gold Plating	F		
C			G		
D			H		



PRODUCT NUMBER:  
211B-21 C 0 A-RA18  
1 2 3

- 1.No. of Contact  
21:2X1 Port
- 2.Contact Plating  
C:5u" Gold Plating
- 3.LED  
A:Y(LED2)+G(LED1)

**SPECIFICATION:**

**1. ELECTRICAL**

- 1.1 Current Rating: 0.4A
- 1.2 Voltage Rating: 48VAC
- 1.3 Contact Resistance: 30mΩ
- 1.4 Insulation Resistance: 500MΩ
- 1.5 Dielectric Withstanding Voltage: 1000VAC

**2. MECHANICAL**

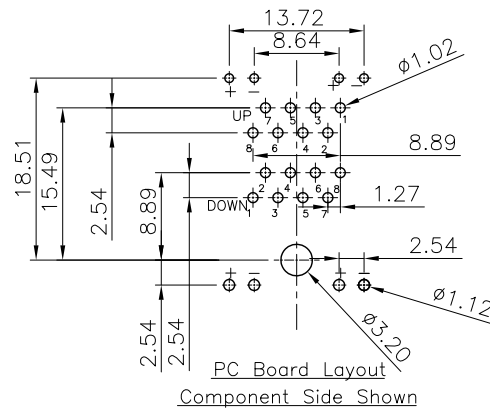
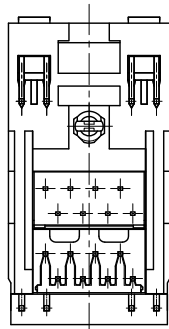
- 2.1 Durability: 750 Cycle

**3. ENVIRONMENTAL**

- 3.1 Operating temperature range: -40°C~+85°C
- 3.2 Storage temperature range: -40°C~+85°C

**4. SOLDER ABILITY**

- 4.1 Recommended Wave Soldering Temperature: 260°C
- 4.2 PCB Retention Pre-Solder: : 1 LB min
- 4.3 PCB Retention Post-Solder: 10 LBS min



P1	P2	P3	P4	P5	P6	P7	P8	P9	P10	P11	P12
----	----	----	----	----	----	----	----	----	-----	-----	-----

PIN ASSIGNMENT

PRODUCT NO.

DESCRIPTION

UNLESS OTHERWISE SPECIFIED TOLERANCE		
ANGLES	ANG.	±5°
LINEAR	0.	±0.3
	0.0	±0.25
	0.00	±0.20
SCALE	AS SHOWN	UNIT: mm
DRAWN	Willis	2012/10/30
CHECKED	Angel	2012/10/30
APPROVED	Ken	2012/10/30



www.attend.com.tw

DRAWN NAME:  
RJ45 Jack Plastic Type with LED

PRODUCT NO. 211B-21C0A-RA18

REV.	DESCRIPTION	DATE	REV.	DESCRIPTION	DATE	SIZE	REV.	FILE NAME
1			4			A4	1.0	211B-21C0A-RA18_B_1

1	2	3	4	5	6	7	8	9	10
---	---	---	---	---	---	---	---	---	----