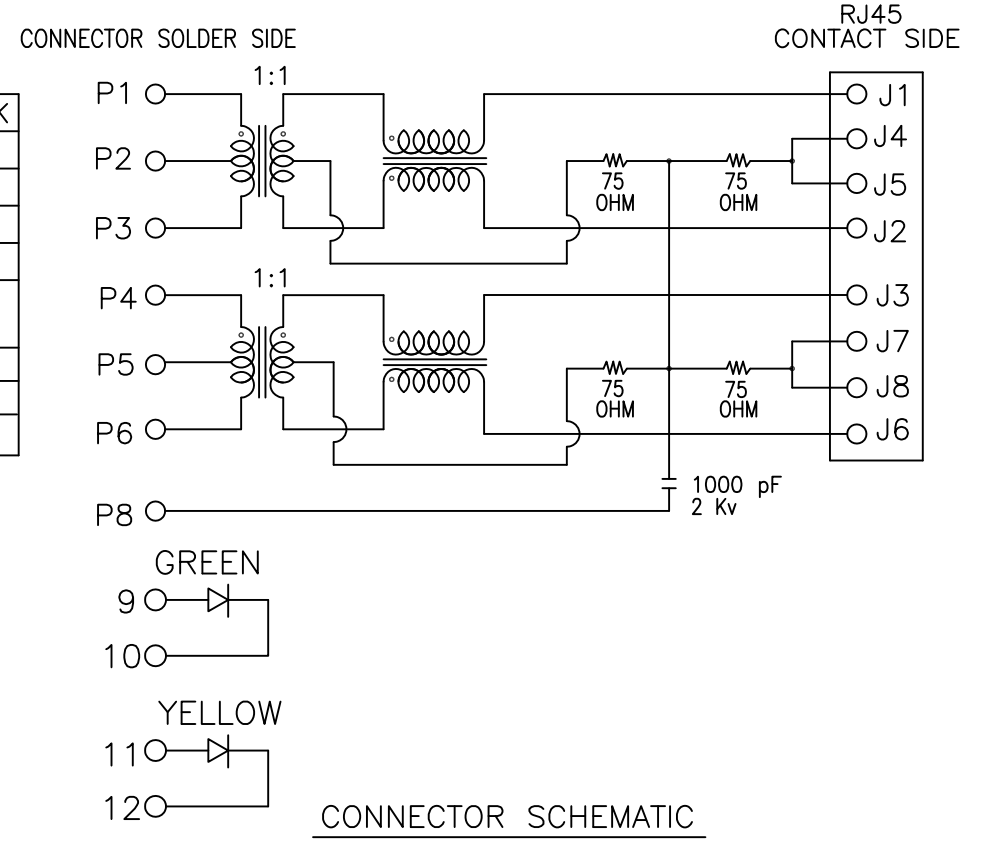


Specification :

Item	Parameter	Condition	Min.	Typ.	Max.	Unit	REMARK
1	Insertion loss	1-100 MHz			-1	dB	
2	Return loss	1-30 MHz	-20			dB	
		30-60 MHz	-15			dB	
		60-80 MHz	-12			dB	
3	Primary Inductance @100KHz, 0.1Vrms, 8mA DC BIAS	(J1-J2), (J3-J6)	350			μH	
4	Crosstalk	1-100 MHz	-35			dB	
5	Hipot	Vrms	1.5			kV	
6	COMMON MODE REJECTION	1-100 MHz	-35			dB	

* OPERATING TEMPERATURE RANGE: 0°C TO +70°C.



CONNECTOR SCHEMATIC

REV.	DESCRIPTION	DATE	REV.	DESCRIPTION	DATE	SIZE	REV.	FILE NAME
1			4			A4	1.0	213A-11CX A-RA13
								213A-11CX A-RA13_B_1

UNLESS OTHERWISE SPECIFIED TOLERANCE		
ANGLES	ANG.	±5°
LINEAR	0.	±0.3
	0.0	±0.25
	0.00	±0.20
SCALE	AS SHOWN	UNIT: mm
DRAWN	Willis	2013/06/13
CHECKED	Angel	2013/06/13
APPROVED	Ken	2013/06/13

www.attend.com.tw	
DRAWN NAME: RJ45 Jack Magnetic Type	
PRODUCT NO.	213A-11 C X A-RA13
FILE NAME	213A-11CX A-RA13_B_1

