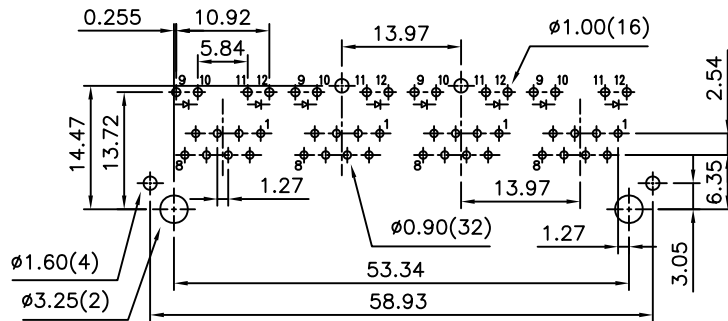
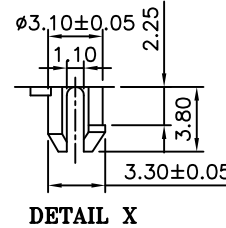
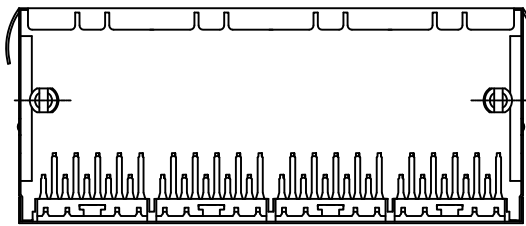
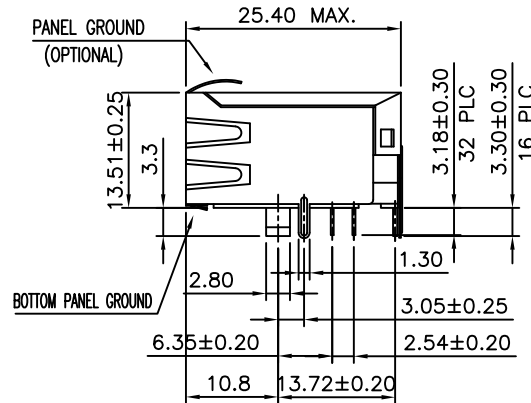
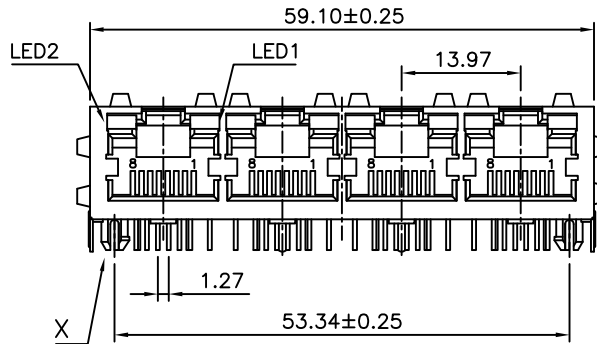


SWITCH CIRCUIT

MATERIAL AND FINISH AS BELOW

A	Housing	PBT UL94V-0 Black	E
B	Contact	Phosphor Bronze C5191,Contact Area:5u ' Gold	F
C	Shell	Brass C2680,Nickel Plating	G
D			H



PCB LAYOUT

PRODUCT NUMBER:
213A-14 C X X-RA14
1 2 3 4

SPECIFICATION:

- No. of Contact: 14:1X4
Contact Plating: C:5u ' Gold Plating
- EMI Tab: A:with EMI Tab, B:without EMI Tab
- LED: A:Y(LED2)+G(LED1)

1. ELECTRICAL

- 1.1 Current Rating: 0.4A per pin
- 1.2 Voltage Rating: 48V DC per pin
- 1.3 Contact Resistance: 50mΩ
- 1.4 Insulation Resistance: 1000MΩ
- 1.5 Dielectric Withstanding Voltage: 1000VAC

2. MECHANICAL

- 2.1 Durability: 750 Cycle

3. ENVIRONMENTAL

- 3.1 Operating temperature range: -40°C~+85°C
- 3.2 Storage temperature range: -40°C~+85°C

4. SOLDER ABILITY

- 4.1 Wave Soldering Temperature: 260°C
- 4.2 Recommended PCB Thickness: 1.6mm

P1	P2	P3	P4	P5	P6	P7	P8	P9	P10	P11	P12
----	----	----	----	----	----	----	----	----	-----	-----	-----

PIN ASSIGNMENT

213A-14CX-RA14	RJ45 1X4 Jack Magnetic Type, Contact Area:5u ' Gold Plating
----------------	---

PRODUCT NO.	DESCRIPTION
-------------	-------------

UNLESS OTHERWISE SPECIFIED TOLERANCE		
ANGLES	ANG.	±5°
LINEAR	0.	±0.3
	0.0	±0.25
	0.00	±0.20
SCALE	AS SHOWN	UNIT: mm
DRAWN	Willis	2013/06/13
CHECKED	Angel	2013/06/13
APPROVED	Ken	2013/06/13



www.attend.com.tw

DRAWN NAME: RJ45 1X4 Jack Magnetic Type

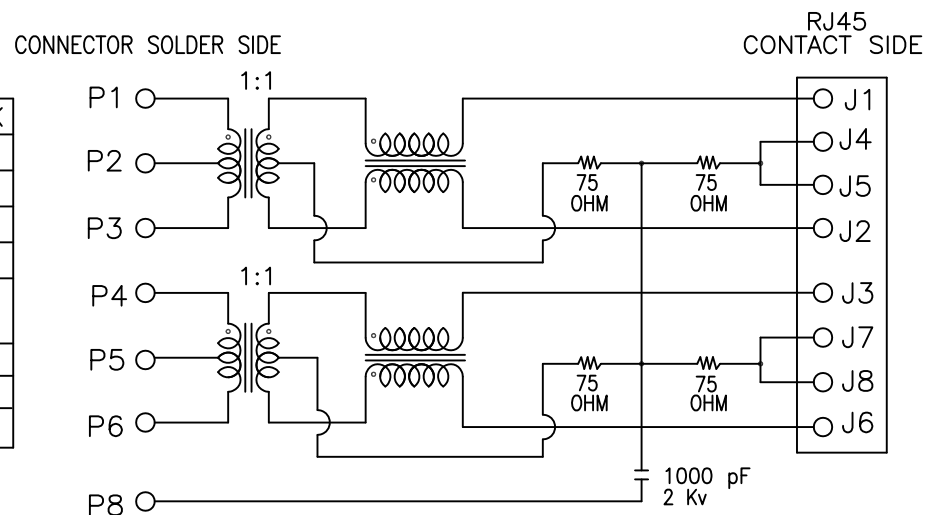
PRODUCT NO. 213A-14 C X A-RA14

REV.	DESCRIPTION	DATE	REV.	DESCRIPTION	DATE	SIZE	REV.	FILE NAME
1			4			A4	1.0	213A-14CX-RA14_B_1

Specification :

Item	Parameter	Condition	Min.	Typ.	Max.	Unit	REMARK
1	Insertion loss	1-100 MHz			-1	dB	
2	Return loss	1-30 MHz	-20			dB	
		30-60 MHz	-15			dB	
		60-80 MHz	-12			dB	
3	Primary Inductance @100KHz, 0.1Vrms, 8mA DC BIAS	(J1-J2), (J3-J6)	350			μH	
4	Crosstalk	1-100 MHz	-35			dB	
5	Hipot	Vrms	1.5			kV	
6	COMMON MODE REJECTION	1-100 MHz	-35			dB	

* OPERATING TEMPERATURE RANGE: 0°C TO +70°C.



CONNECTOR SCHEMATIC

				UNLESS OTHERWISE SPECIFIED TOLERANCE			 www.attend.com.tw		
ANGLES		ANG.	±5°	DRAWN		DRAWN NAME:			
LINEAR		0.	±0.3	CHECKED		RJ45 1X4 Jack Magnetic Type			
		0.00	±0.25	APPROVED		PRODUCT NO. 213A-14 C X A-RA14			
REV.	DESCRIPTION	DATE	REV.	DESCRIPTION	DATE	SIZE A4	REV. 1.0	FILE NAME 213A-14CXA-RA14_B_1	
1									
2									
3									
4									
5									
6									
7									
8									
9									
10									

A

A

A

A

A

A