

MATERIALS:

Contacts: Phosphor Bronze,
 Insulator: Nylon 9T .UL94V-0
 Shell: brass, Nickel Plated.

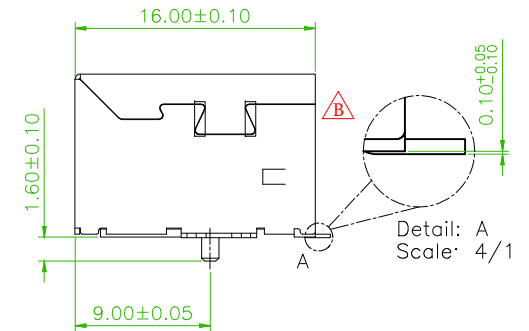
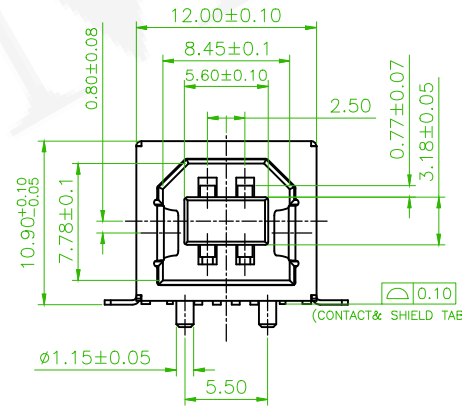
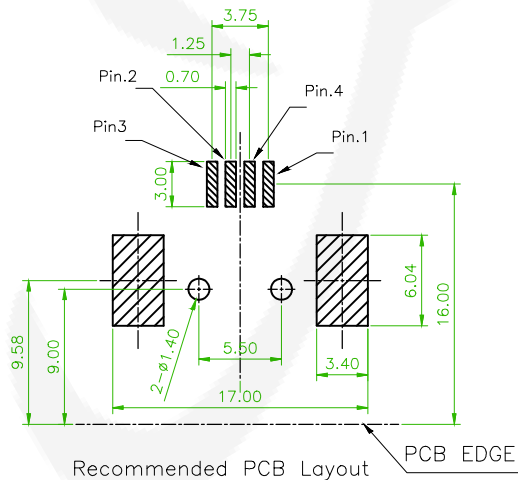
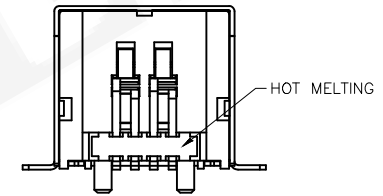
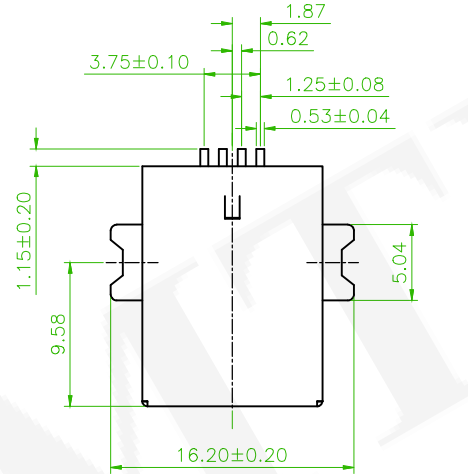
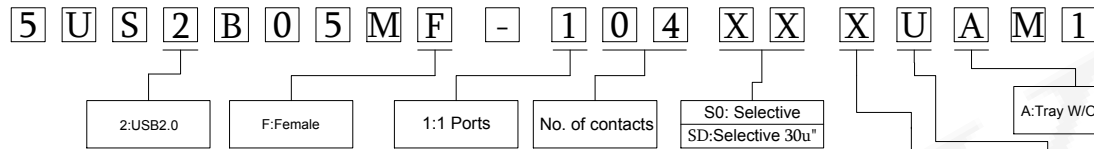
ELECTRICAL:

Contact Current Rating :1Amp.30V AC
 Dielectric Withstanding Volt:AC 500V/Min.R.M.S.
 Insulation Resistance:1000M Ohm Min. at 250V DC
 Contact Resistance:30Miliohms Max.
 Operating Temperature:-55°C to +85°C

MECHANICAL CHARACTERISTICS:

Mating Force:3.57Kg.Max.
 Unmating Force:1.02Kg.Min.

ORDER INFORMATION



Old P/N:USB-001H-BX-U

品名 TITLE	USB B TYPE FEMAL SMT R/A TYPE				頁數 Page	1/1
品號 PART NO.	5US2B05MF-104XXXUAM1			繪圖 DRAWN	Jeff 2016/07/12	
圖號 DRAWING NO.	GN107-AL438	版本 REV.	B	核對 CHECKED	EmilyChiu 2016/07/12	
客戶品號 CUSTOMER P/N		比例 SCALE	None	承認 APPROVED	Boris 2016/07/12	
公差 TOLERANCE	.X ± 0.15	單位 UNIT	mm	THIRD ANGLE PROJECTION		

REV.	ECN NO.:200912 Revise the drawing	Alice	2020/10/28
	ECN NO. OR DESCRIPTION	REVISED	DATE