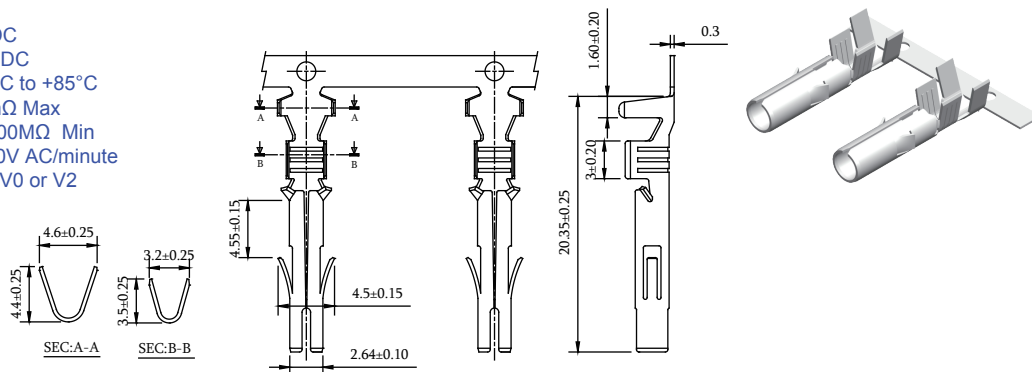


Old P/N.:6350 Series

6.35mm Female & Male Terminal / Female & Male Housing

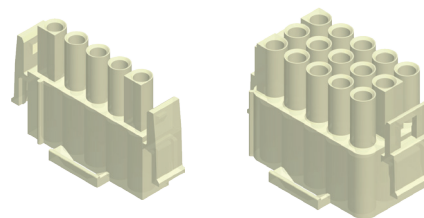
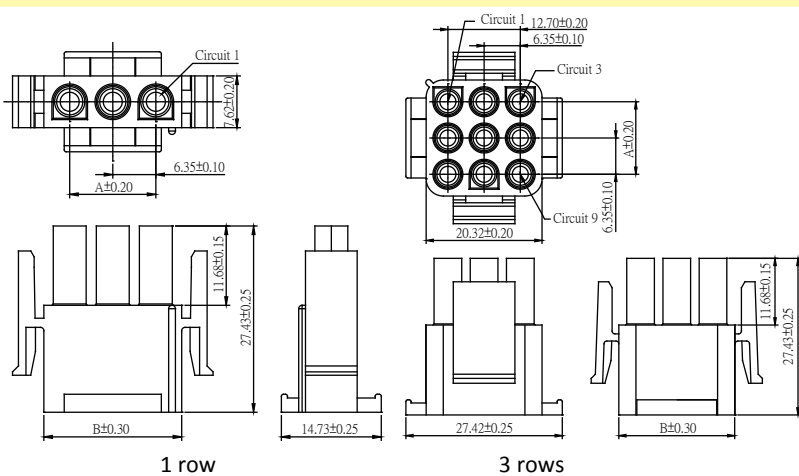
Specifications

Current Rating: 15A AC,DC
 Voltage Rating: 600V AC,DC
 Temperature Range: -25°C to +85°C
 Contact Resistance: 3.5mΩ Max
 Insulation Resistance: 1000MΩ Min
 Withstanding Voltage: 500V AC/minute
 Material: Nylon 66, UL94-V0 or V2



Wire Range	Insulation O.D.	Material	Finish
#14-#20	3.30mm(Max)	Brass	Tin Plated

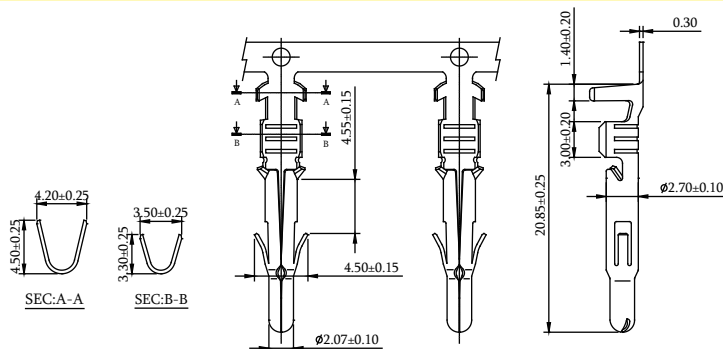
P/N.:5T6350F-BT0R-01



Part No.	Dimensions	
	A	B
5H6350F0-102	6.35	13.97
5H6350F0-103	12.70	20.32
5H6350F0-104	19.05	26.67
5H6350F0-105	25.40	33.02
5H6350F0-106	31.75	39.37
5H6350F0-108	44.45	52.07

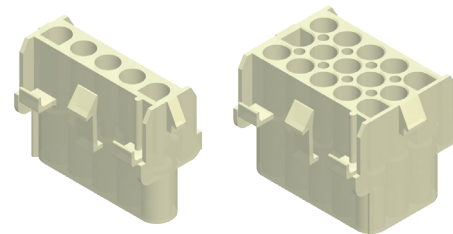
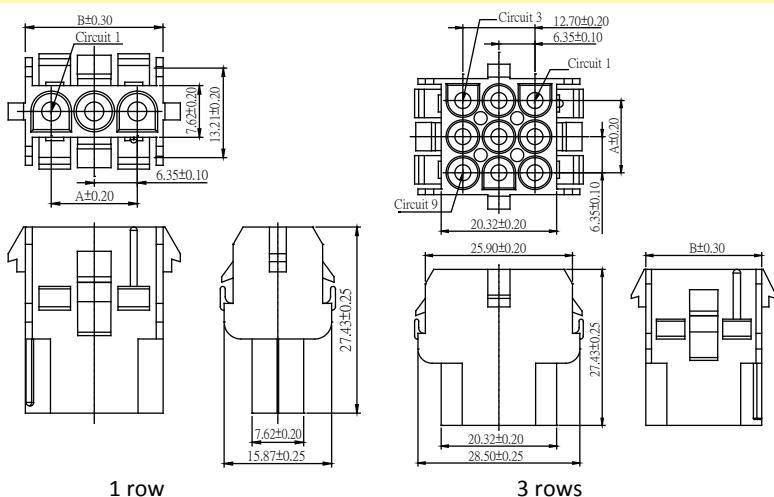
Part No.	Dimensions	
	A	B
5H6350F0-302	6.35	13.97
5H6350F0-303	12.70	20.32
5H6350F0-304	19.05	26.67
5H6350F0-305	25.40	33.02

P/N.:5H6350F0-XXXWBL00-01



Wire Range	Insulation O.D.	Material	Finish
#14-#20	3.30mm(Max)	Brass	Tin Plated

P/N.:5T6350M-BT0R-01



Part No.	Dimensions	
	A	B
5H6350M0-102	6.35	13.97
5H6350M0-103	12.70	20.32
5H6350M0-104	19.05	26.67
5H6350M0-105	25.40	33.02
5H6350M0-106	31.75	39.37
5H6350M0-108	44.45	52.07

Part No.	Dimensions	
	A	B
5H6350M0-302	6.35	14.05
5H6350M0-303	12.70	20.40
5H6350M0-304	19.05	26.75
5H6350M0-305	25.40	33.10

P/N.:5H6350M0-XXXWBL00-01