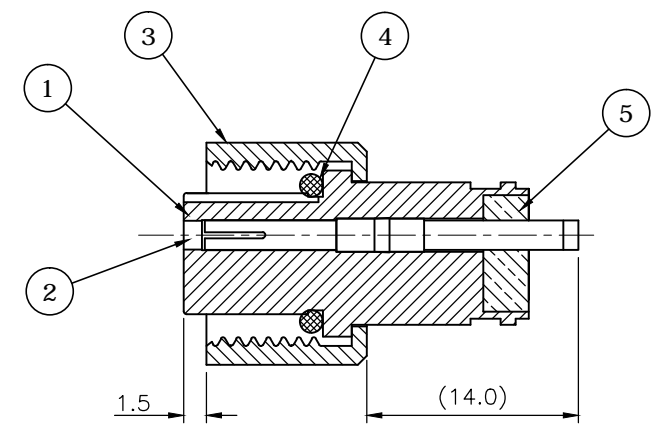
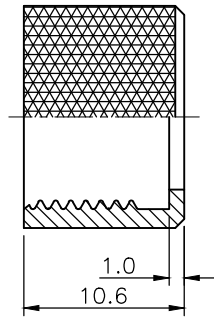
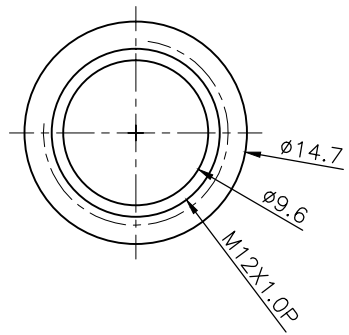
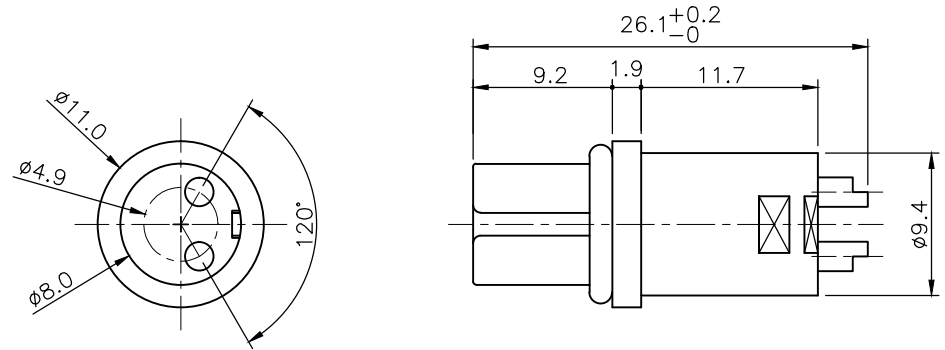


REV.	DESCRIPTION	DRAWN	DATE
1	INITIAL RELEASE	FROS	2016/06/21
2	ECR220421001	FROS	2022/04/21

SPECIFICATION:

1. Current Rating: 4A
2. Voltage Rating: 250V
3. Waterproof: IPX7
4. Operating temperature range: -40°C~+85°C



5	EPOXY BASE	EF400A&EF400B, Black
4	O-RING	EPDM, Black
3	NUT	Brass, Nickel plating
2	CONTACT	Brass, Gold plating over Nickel
1	HOUSING	PBT, UL94V-0, Black

NO.	PART NAME	DESCRIPTION	
UNLESS OTHERWISE SPECIFIED TOLERANCE			
UNIT:	DECIMAL	LINEAR	ANGLES
mm	X.	±0.50	±5°
	X.X	±0.25	±3°
	X.XX	±0.12	±1°
DRAWN Fros 2016/06/21			
CHECKED Ron 2016/06/21			
APPROVED Ken 2016/06/21			
SCALE 2/1 SHEET 1/1 SIZE A4			
DRAWN NAME:		M12 A- Code Plug for Cable 2Pin Female For Overmold with Cable	
PRODUCT NO.			
FILE NAME		216A-02FOO_B_2	



WWW.ATTEND.COM.TW