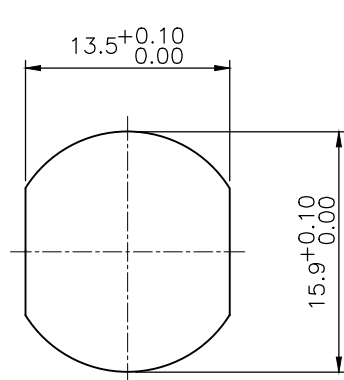
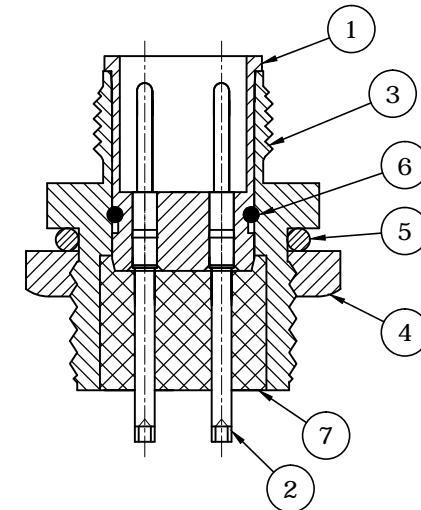
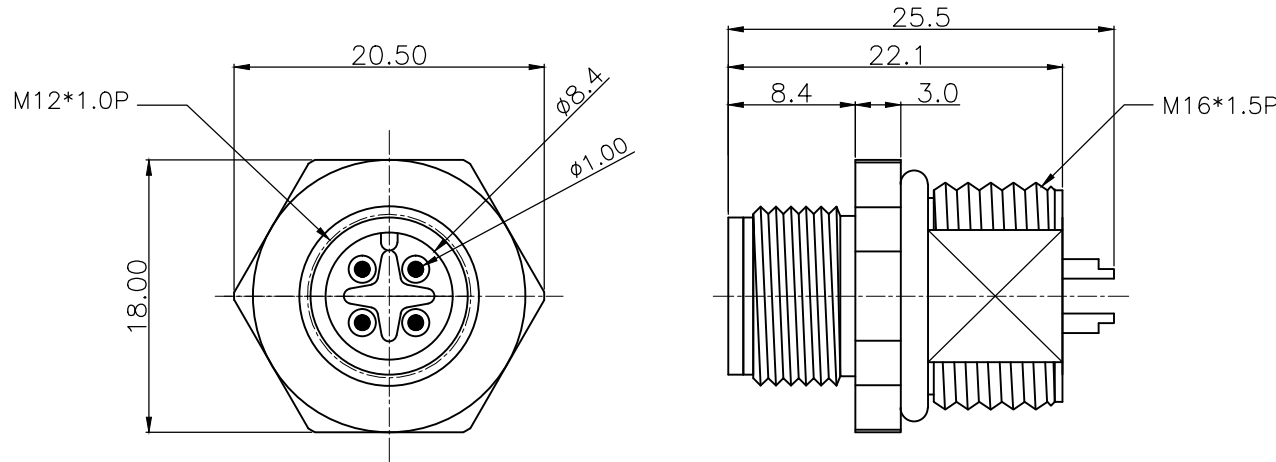


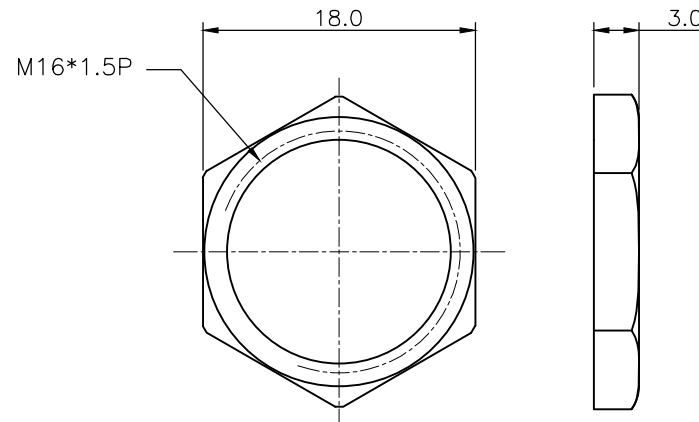
REV.	DESCRIPTION	DRAWN	DATE
1	INITIAL RELEASE	TIM	2019/04/01
2	ECR220421001	TIM	2022/04/21

**SPECIFICATION:**

1. Current Rating: 4A
2. Voltage Rating: 250V
3. Waterproof: IPX7
4. Operating temperature range: -40°C~+85°C



PANEL CUT-OUT



NUT

7	EPOXY BASE	
6	O-RING	Silicone, Green
5	O-RING	EPDM, Black
4	NUT	Brass, Nickel plating
3	SHELL	Brass, Nickel plating
2	CONTACT	Brass, 10u" Gold plating over Nickel
1	HOUSING	PBT, UL94V-0, Black
NO.	PART NAME	DESCRIPTION

UNLESS OTHERWISE SPECIFIED TOLERANCE

UNIT:	DECIMAL	LINEAR	ANGLES
mm	X.	±0.50	±5°
	X.X	±0.25	±3°
	X.XX	±0.12	±1°



WWW.ATTEND.COM.TW

DRAWN	Tim	2019/04/01	DRAWN NAME:	M12 A- Code Receptacle, 4 Pin Male			
CHECKED	Fros	2019/04/01	Solder Type	Rear Fastened, Dual Cut			
APPROVED	Ken	2019/04/01	PRODUCT NO.	216A-04MAR			
SCALE	2/1	SHEET	1/1	SIZE	A4	FILE NAME	216A-04MAR_B_2