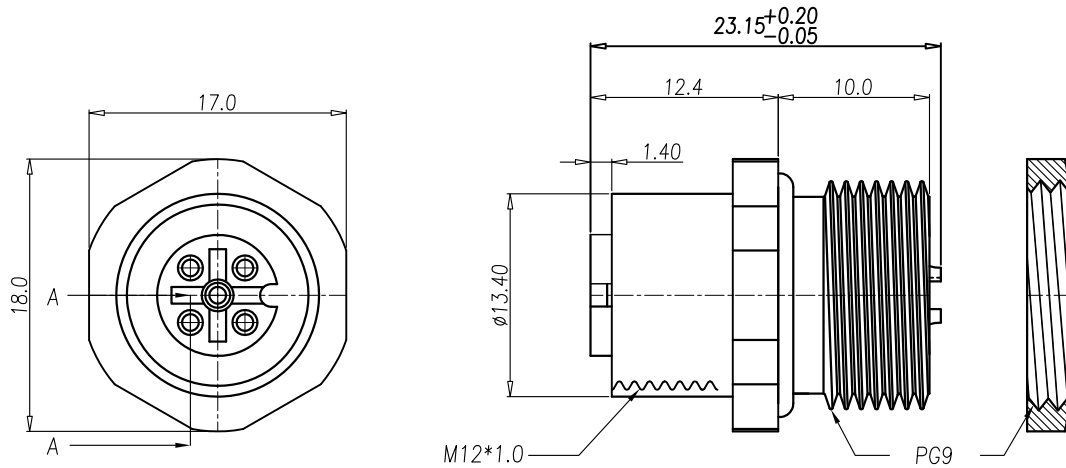


1	2	3	4	5	6	7	8	9	10
SWITCH CIRCUIT			MATERIAL AND FINISH AS BELOW						
WHEN CARD IS EJECTED		WHEN CARD IS INSERTED		A	Housing	PBT UL94V-0, Color: Black	E	O-Ring	NBR Black
				B	Contact	Brass C3604, Contact Area:10u" Gold Plating Over Nickel	F	O-Ring	EPDM Black
				C	Shell	Brass C3604, Nickel Plated	G	Epoxy Base	Epoxy Black
				D	Nut	Brass C3604, Nickel Plated	H		



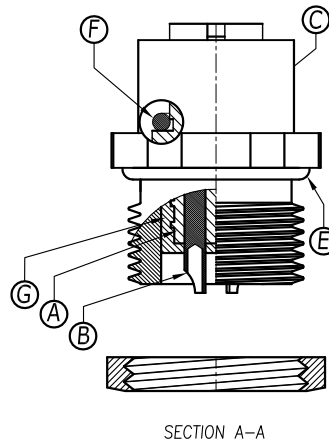
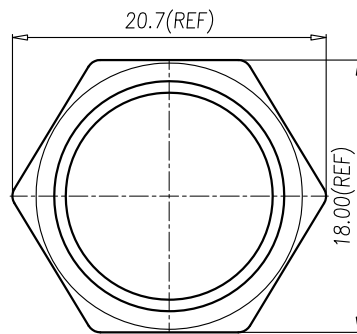
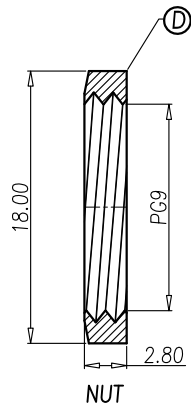
SPECIFICATION:

1. ELECTRICAL

- 1.1 Current Rating: 4A per pin
- 1.2 Voltage Rating: 60V
- 1.3 Water Proof: IPX7

2. ENVIRONMENTAL

- △ 2.1 Operating temperature range: -40°C ~ +85°C



P1	P2	P3	P4	P5	P6	P7	P8	P9	P10	P11	P12
PIN ASSIGNMENT											
216A-05FAR											
M12 A Code 5Pin Receptacle, Female Solder Type, Rear Fastened, Contact: 10u" Gold Plating											
PRODUCT NO.			DESCRIPTION								

UNLESS OTHERWISE SPECIFIED TOLERANCE		
ANGLES	ANG.	±5°
LINEAR	0.	±0.3
	0.0	±0.25
	0.00	±0.20
SCALE	AS SHOWN	UNIT: mm
DRAWN	Willis	2013/12/24
CHECKED	Angel	2013/12/24
APPROVED	Ken	2013/12/24



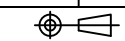
www.attend.com.tw

DRAWN NAME:
M12 A- Code 5Pin Receptacle
Female Solder Type, Rear Fastened

PRODUCT NO. 216A-05FAR

FILE NAME 216A-05FAR_B_3

REV.	DESCRIPTION	DATE	REV.	DESCRIPTION	DATE
A	△ ECR220421001	2022/04/21			
	△ ECR1700027	2017/10/26			
	△ INITIAL RELEASE	2013/12/24			



SIZE A4

REV. 1.0