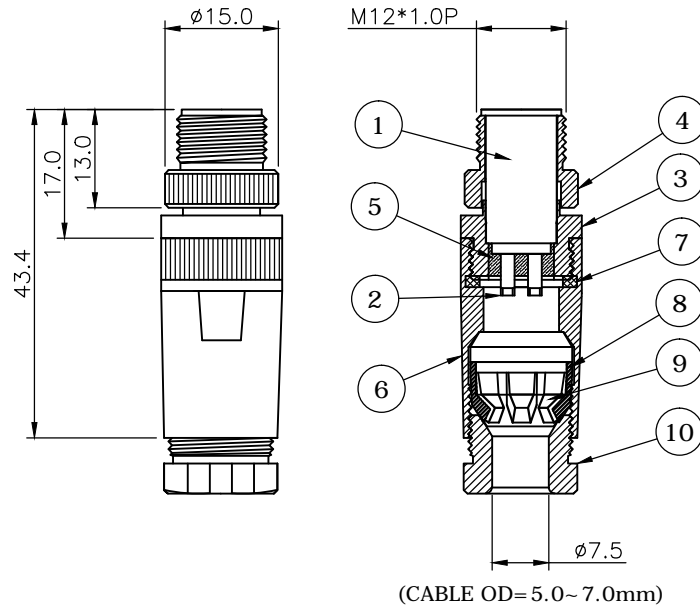
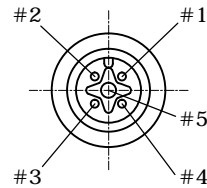


REV.	DESCRIPTION	DRAWN	DATE
1	INITIAL RELEASE	FROS	2017/06/29
2	ECR1700027	TIM	2017/10/26
3	ECR220421001	TIM	2022/04/21

SPECIFICATION:

1. RATED CURRENT: 4A
2. RATED VOLTAGE: 60V
3. WATER PROOF: IPX7
- △ 4. OPERATING TEMPERATURE: -40°C TO +85°C



10	GLAND NUT	Aluminum alloy, sating nickel plated
9	GLAND CAGE	POM, black
8	GLAND	SILICONE, black
7	O-RING	SILICONE, black
6	BODY	Aluminum alloy, sating nickel plated
5	EPOXY	EP400A&B, black
4	NUT	Aluminum alloy, sating nickel plated
3	SHELL	Aluminum alloy, sating nickel plated
2	CONTACT	Brass, gold flash plating over Nickel
1	HOUSING	PBT, UL94V-0, Black

NO.	PART NAME	DESCRIPTION					
UNLESS OTHERWISE SPECIFIED TOLERANCE							
UNIT:	DECIMAL	LINEAR	ANGLES				
mm	X.	±0.50	±5°				
	X.X	±0.25	±3°				
	X.XX	±0.12	±1°				
WWW.ATTEND.COM.TW							
DRAWN	Fros	2017/06/29	DRAWN NAME:				
CHECKED	Tim	2017/06/29	M12 A- Code Plug for Cable 5 Pin Male For Field Installable				
APPROVED	Ken	2017/06/29	PRODUCT NO. 216A-05MFO				
SCALE	1/1	SHEET	1/1	SIZE	A4	FILE NAME	216A-05MFO_B_3

