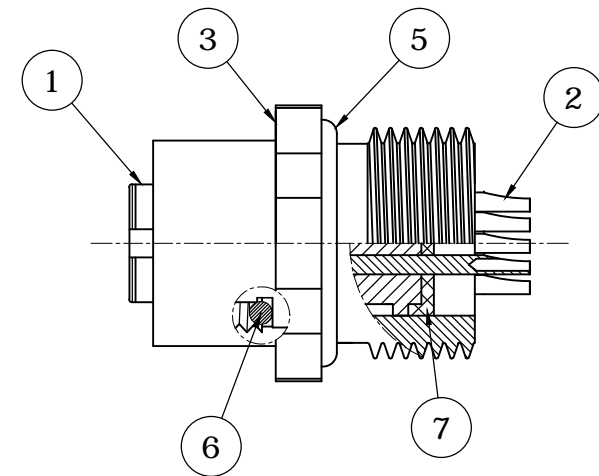
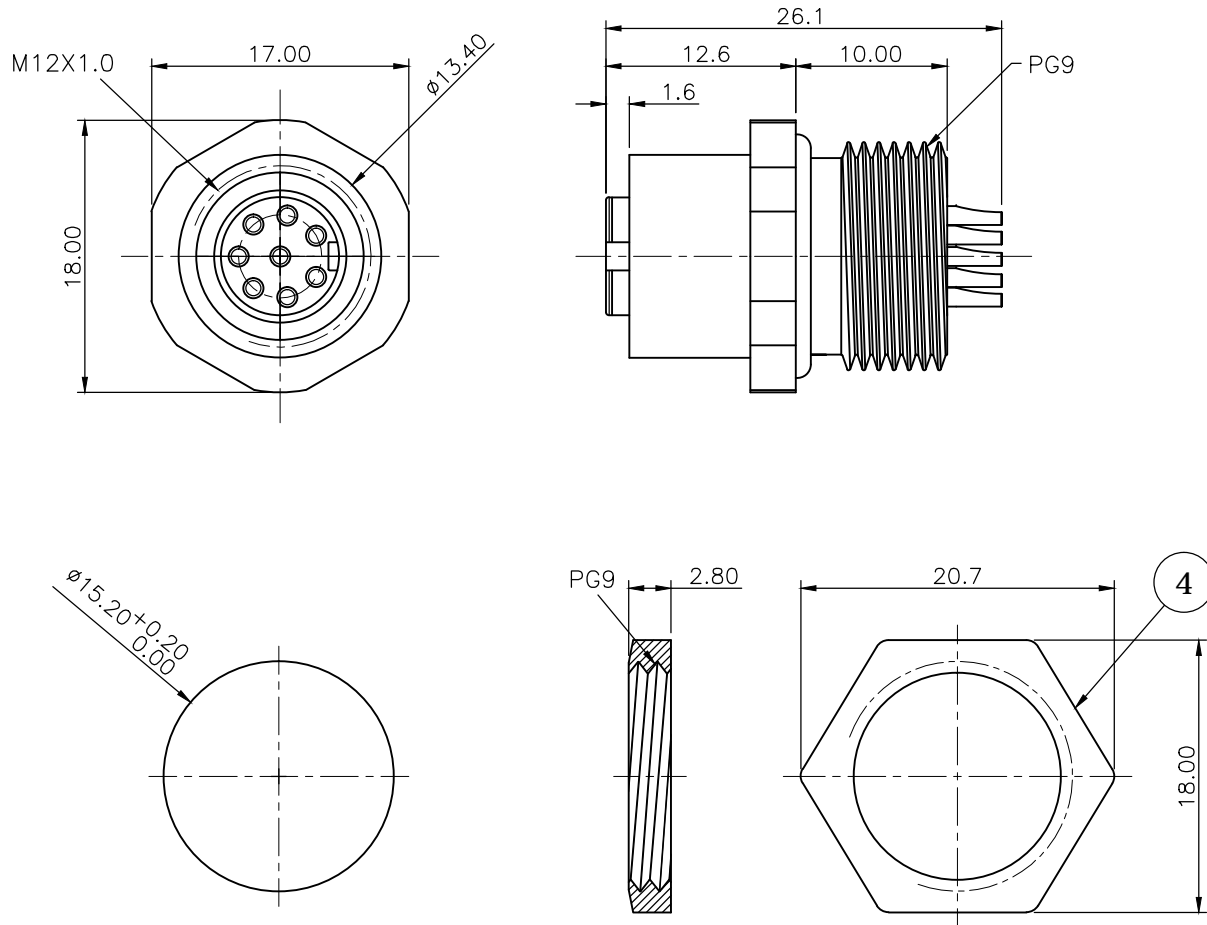


REV.	DESCRIPTION	DRAWN	DATE
1	INITIAL RELEASE	TIM	2018/04/13
2	ECR220421001	TIM	2022/04/21

SPECIFICATION:

1. Current Rating: 2A
2. Voltage Rating: 30V
3. Waterproof: IPX7
4. Operating temperature range: -40°C~+85°C



7	EPOXY BASE	
6	O-RING B	EPDM, Black
5	O-RING A	NBR, Black
4	NUT	Copper Alloy
3	SHELL	Copper Alloy, Nickel plating
2	CONTACT	Copper Alloy, 10u" Gold plating over Nickel
1	HOUSING	Thermoplastic, UL94V-0, Black

NO.	PART NAME	DESCRIPTION					
UNLESS OTHERWISE SPECIFIED TOLERANCE							
UNIT:	DECIMAL	LINEAR	ANGLES				
mm	X.	±0.50	±5°				
	X.X	±0.25	±3°				
	X.XX	±0.12	±1°				
WWW.ATTEND.COM.TW							
DRAWN	Tim	2018/04/13	DRAWN NAME:				
CHECKED	Fros	2018/04/13	M12 A-Code Receptacle, 8Pin Female Solder Type Rear Fastened				
APPROVED	Ken	2018/04/13	PRODUCT NO. 216A-08FAR				
SCALE	2/1	SHEET	1/1	SIZE	A4	FILE NAME	216A-08FAR_B_2

