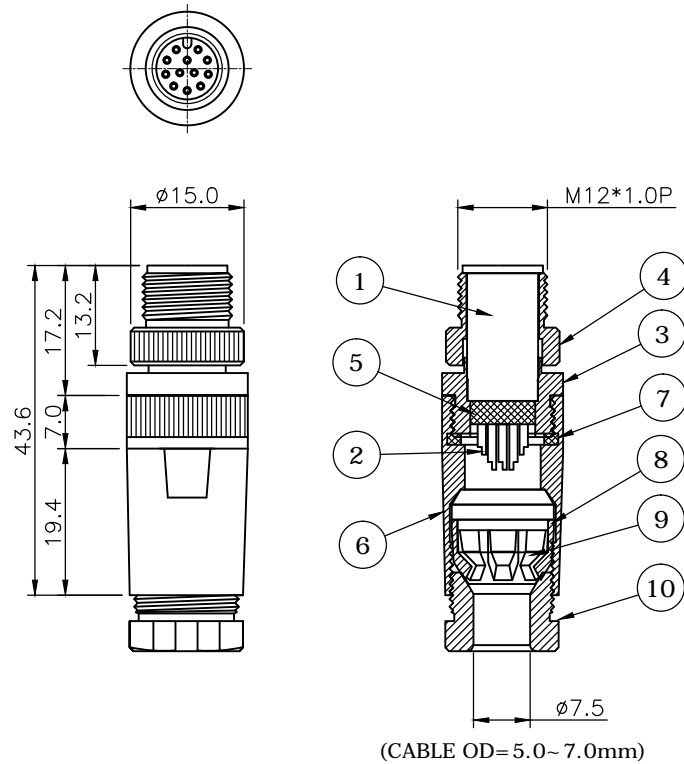



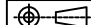
REV.	DESCRIPTION	DRAWN	DATE
1	INITIAL RELEASE	TIM	2019/04/01
2	ECR220421001	TIM	2022/04/21

SPECIFICATION:

1. RATED CURRENT: 1.5A
2. RATED VOLTAGE: 30V
3. WATER PROOF: IPX7
4. OPERATING TEMPERATURE: -40°C TO +85°C



NO.	PART NAME	DESCRIPTION
10	GLAND NUT	Brass, sating nickel plated
9	GLAND CAGE	POM, black
8	GLAND	SILICONE, black
7	O-RING	SILICONE, black
6	BODY	Aluminum alloy, sating nickel plated
5	EPOXY	EP400A&B, black
4	NUT	Aluminum alloy, sating nickel plated
3	SHELL	Aluminum alloy, sating nickel plated
2	CONTACT	Brass, 10u" gold plating over Nickel
1	HOUSING	PBT, UL94V-0, Black

NO.		PART NAME		DESCRIPTION	
UNLESS OTHERWISE SPECIFIED TOLERANCE					
UNIT:	DECIMAL	LINEAR	ANGLES		
	X.	±0.50	±5°		
	X.X	±0.25	±3°		
	X.XX	±0.12	±1°		
 WWW.ATTEND.COM.TW					
DRAWN	Fros	2019/04/01	DRAWN NAME:		
CHECKED	Tim	2019/04/01	M12 A- Code Plug for Cable 12 Pin Male For Field Installable		
APPROVED	Ken	2019/04/01	PRODUCT NO.	216A-12MFO	
	SCALE	SHEET	SIZE	FILE NAME	216A-12MFO_B_2
	1/1	1/1	A4		